

039202343G

# PAD2 Electric cooling pump



For reliable and efficient support of different thermal circuits: The Bosch PAD coolant pumps are designed with decades of experience in thermal, liquid and energy circuits.

Due to their robustness and design optimized for volume flow, they have proven themselves millions of times worldwide in different 12V applications. This includes, for example, applications in heating and cooling applications of electronics or battery cells in electric vehicles. .

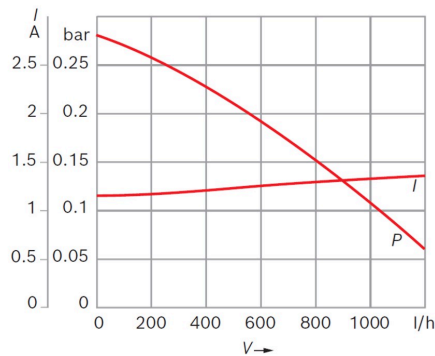
- **Degree of protection:** IPX7
- **Operating mode:** S1
- **Nominal Voltage:** 12 V



[Contact us!](#)

## Product Specification

### Technical data and performance curve



**Flow rate (l/h):** 500

**Nominal pressure (bar):** 0,2

**Nominal Voltage (V):** 12

**Weight (kg):** 0,325

**Control:** PWM

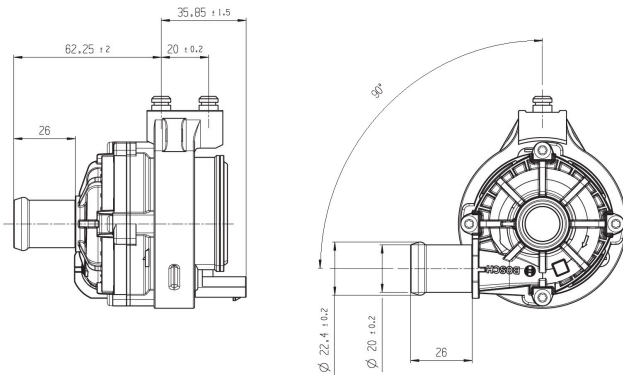
**Medium:** Water/Glycol (50/50)

Product images and pictures are for demonstration purposes only, the actual product may differ from the picture shown. The quotation drawing is binding.

Robert Bosch GmbH, Auf der Breit 4, 76227 Karlsruhe, Germany [www.bosch-ibusiness.com](http://www.bosch-ibusiness.com)



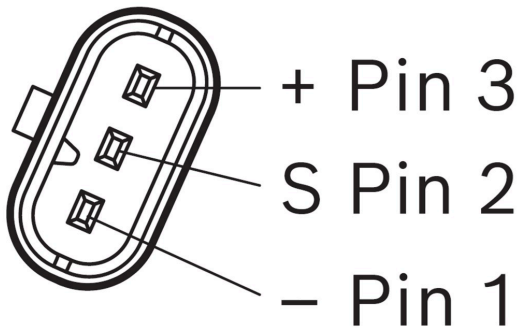
## Dimensions



Please contact us if you need a 3d model

[Contact](#)

## Connector



### Housing:

- TE Connectivity MCON 1.2 1488991-6 (with CPA),...-2 w/o CPA
- Molex MXP120 34900-3102

### Terminal:

- Bosch 1 928 498 811
- Tyco / Molex MCON 1.2 1670146-3 – Ag plated (20awg)
- KOSTAL MLK 1.2 [32124734130]

### Seal:

- Bosch 1 928 300 936
- TE Connectivity 967067-1 (20 awg)
- KOSTAL 10800507250

## Features and Benefits

- Integrated electronics with failure diagnosis signal: For an increased efficiency of the brushless pumps and a control of the volume flow via PWM signal
- Extremely robust design: For a high power density, long service life and a motor attachment possible depending on the model
- Proven construction in line with the original automotive quality guidelines: For a low noise development and a high temperature range of up to 130°C
- Operating mode S1: Suitable for continuous operation

Product images and pictures are for demonstration purposes only, the actual product may differ from the picture shown. The quotation drawing is binding.

Robert Bosch GmbH, Auf der Breit 4, 76227 Karlsruhe, Germany [www.bosch-ibusiness.com](http://www.bosch-ibusiness.com)



---

## Downloads

You may also be interested in:

To Product family: [Catalogue](#)

