

0390201949

AHC2 Two-stage motor with Transmission



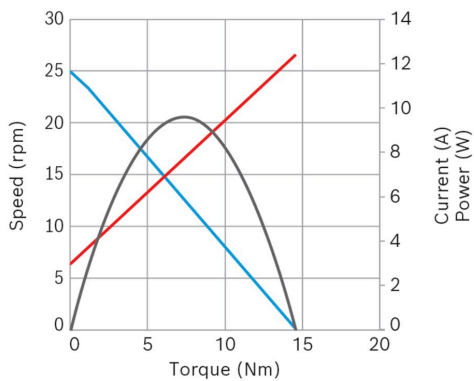
- **Degree of protection:** IP 50
- **Operating mode:** S2
- **Rotation direction:** Left and right rotation
- **Nominal voltage:** 12 V

[Contact us!](#)



Product Specification

Technical data and performance curve



Nominal power (W): 2,5

Nominal current (A): 3,6

Nominal speed (rpm): 23,6

Nominal torque (Nm): 1

Stall torque (Nm): 14,5

Transmission ratio: 185,5:1

Hall Sensor: No

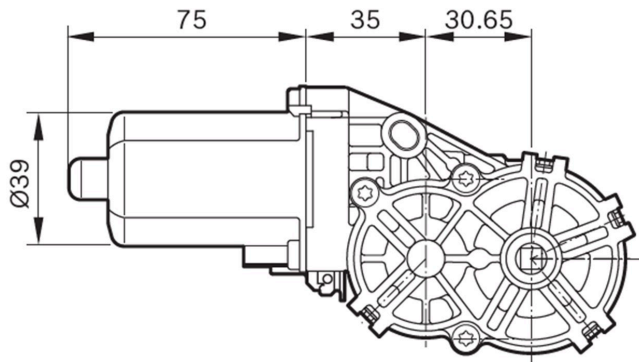
Transmission position: Right

Product images and pictures are for demonstration purposes only, the actual product may differ from the picture shown. The quotation drawing is binding.

Robert Bosch GmbH, Auf der Breit 4, 76227 Karlsruhe, Germany www.bosch-ibusiness.com



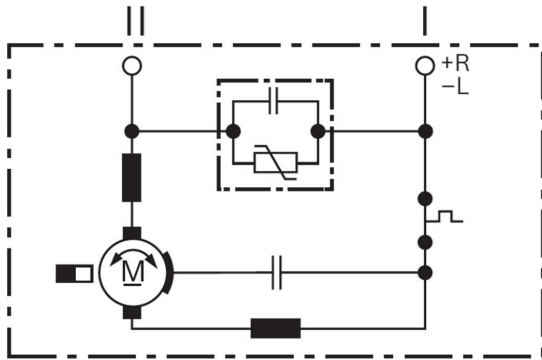
Dimensions



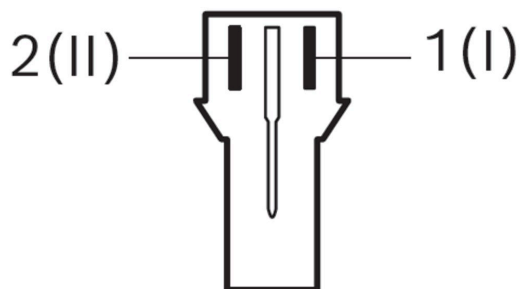
Please contact us if you need a 3D model

[Contact](#)

Circuit diagram



Connector



Housing:

TE 968182-1

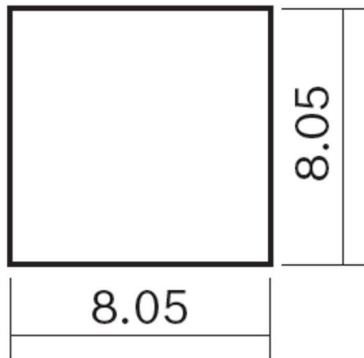
Locker:

TE 968183-1

PIN:

TE JPT 0-927768-1



Drive interface

Downloads

You may also be interested in:

To Product family: [Catalogue](#)

