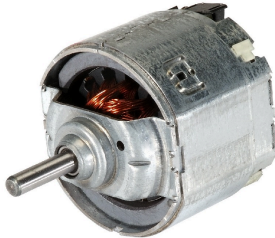


0130115008

# GBM-S DC motor



Ensure reliable performance in a compact design: The Bosch gearless motors excel at durability, robustness and high speeds at the lowest noise levels. Decades of experience in manufacturing of electric motors have led to the latest Bosch gearless motor generation which has proven million fold. They can be used for industrial applications in 12 or 24V.

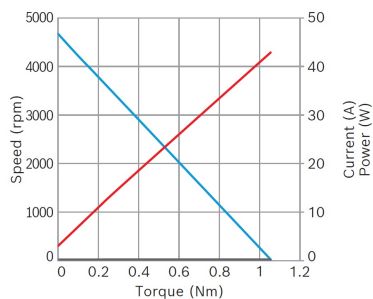
- **Degree of protection:** IP 10
- **Operating mode:** S1
- **Nominal voltage:** 12 V

[Contact us!](#)



## Product Specification

### Technical data and performance curve



**Nominal power (W):** 79,5

**Nominal current (A):** 11

**Nominal speed (rpm):** 3800

**Nominal torque (Nm):** 0,2

**Stall torque (Nm):** 1,05

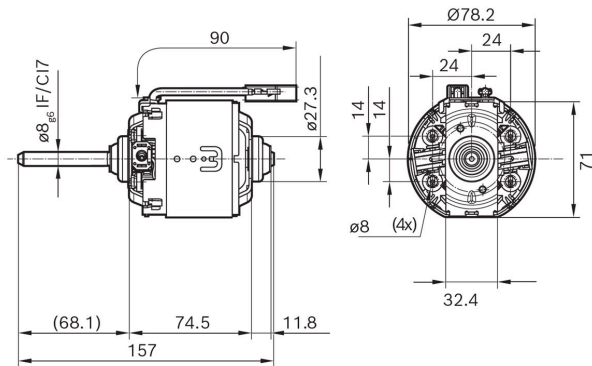
**Hall Sensor:** No

Product images and pictures are for demonstration purposes only, the actual product may differ from the picture shown. The quotation drawing is binding.

Robert Bosch GmbH, Auf der Breit 4, 76227 Karlsruhe, Germany [www.bosch-ibusiness.com](http://www.bosch-ibusiness.com)



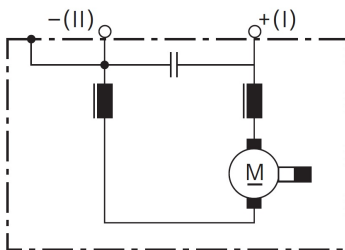
## Dimensions



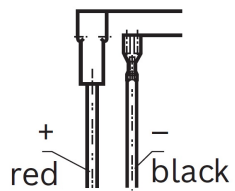
Please contact us if you need a 3d model

[Contact](#)

## Circuit diagram

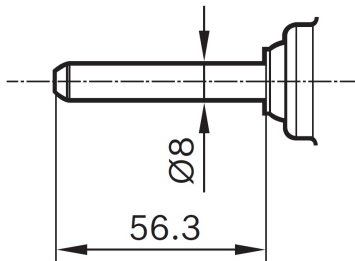


## Connector



---

## Drive interface



---

## Features and benefits

- Different power densities available: To meet customer requirements in terms of efficiency
- High standards in production and testing: For proven quality and a long service life
- Production in line with the original automotive quality guidelines: For proven quality, high reliability and a long service life
- Available hall sensor: For positioning or direction of speed feedback

---

## Downloads

You may also be interested in:

To Product family: [Catalogue](#)

