

039024910A

# WDD2 Direct wiper drive



## Versatile and Reliable - The Bosch WDD2

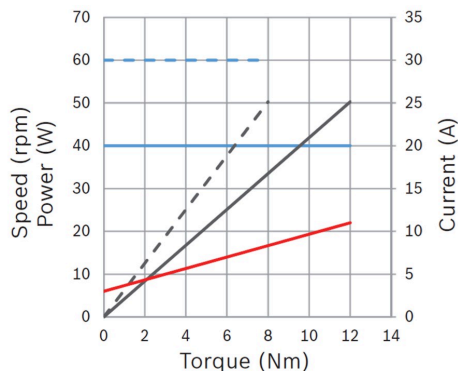
Customizable wiping speed, angle, and torque make it applicable to various systems, while its interface options provide a versatile wiping solution for different applications. Experience crystal-clear visibility in various weather conditions, reduced maintenance, and exceptional wiping effectiveness with the Bosch WDD2, all with low operating noise level. Rely on the robust design and adaptability of the WDD2 for a reliable and efficient wiping solution.

- **Degree of protection:** IP 6K7
- **Wiping angle:** Up to 350°
- **LIN/CAN (2.0) / analog communication**
- **Nominal voltage:** Compatible for 12 V und 24 V
- **Adjustable speed, angle and torque**

[Contact us!](#)

## Product Specification

### Technical data and performance curve



**Nominal power (W):** 50

**Nominal current (A):** 8,3

**Nominal speed (rpm):** 60 / 40

**Nominal torque (Nm):** 8 / 12

**Stall torque (Nm):** 34

**Transmission ratio:** 76:1

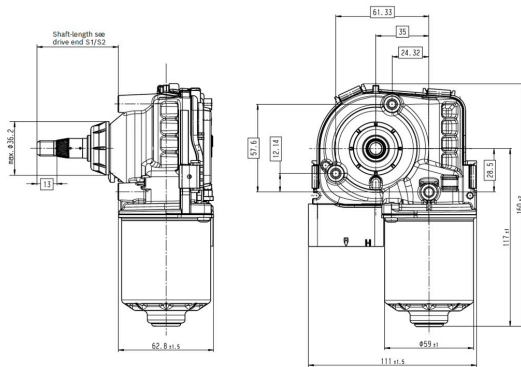
**Signal-LIN:** LIN/CAN

Product images and pictures are for demonstration purposes only, the actual product may differ from the picture shown. The quotation drawing is binding.

Robert Bosch GmbH, Auf der Breit 4, 76227 Karlsruhe, Germany [www.bosch-ibusiness.com](http://www.bosch-ibusiness.com)



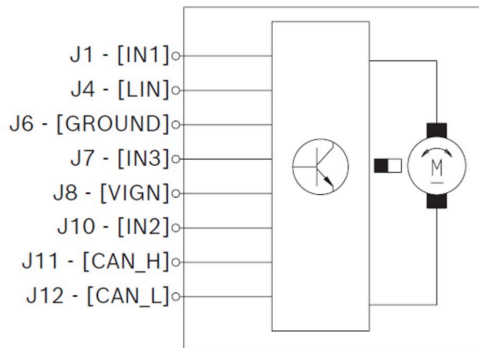
## Dimensions



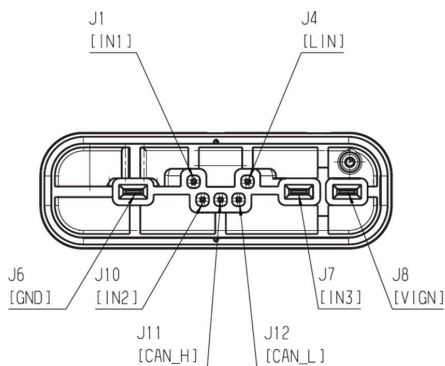
Please contact us if you need a 3d model

[Contact](#)

## Circuit diagram



## Connector



### Housing:

MOLEX

variant 31034-5016

### Locker:

-

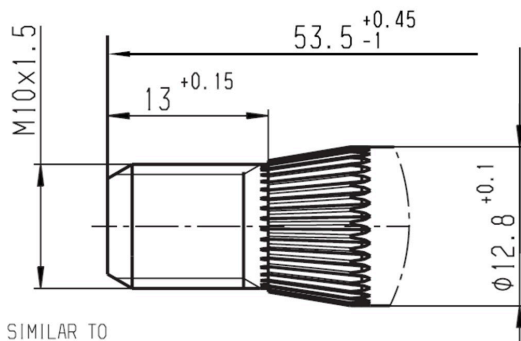
### PIN:

1393367-1,

1326032-6,



## Drive interface



SHAFT END SIMILAR TO  
DIN 72783-A2

## Features and benefits

- Models with integrated electronics: Suitable for a wide range of applications and depending on model equipped with bus communication digital/LIN/CAN as well as teach-in functions
- Rotation in both directions: For using the motor as a drive or as an actuator
- Production in line with the original automotive quality guidelines: For proven quality, high reliability and a long service life
- Operating mode S1: Suitable for continuous operation

## Downloads

You may also be interested in:

To Product family: [Catalogue](#)

