



Bosch Relay Catalogue

Version 04/2024

Product Area Comfort Electronics

MA-TG/PAC

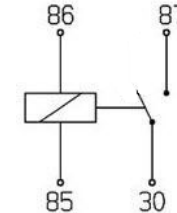
Indication

„Please note that this catalogue is for information only. The listed products do not constitute binding purchase offers. We reserve the right to update the products and the information given herein. Please feel free to contact our sales department in case of any questions, or if you would like to receive an individual offer.”

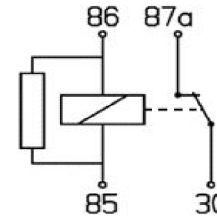
Relay product information

Relay operating modes

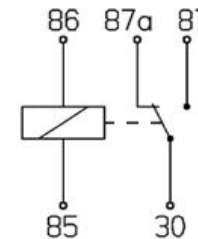
Make contact is a relay contact that is open when a relay is in idle position and closes when the relay moves to the operating position.



Break contact is a relay contact that is closed when a relay is in idle position and opens when the relay moves to the operating position.



Change over contact (transfer contact) is a set of contacts with three electrically isolated connections, consisting of a make contact and a break contact. When the switching position changes, the previously closed contact opens first and the previously open contact then closes.



Parameter explanation

Relay applications

This catalog contains the technical specifications that a design engineer needs to select the appropriate relay to meet his requirements. Bosch d.c. relays were originally designed for automotive applications. For all other applications, particularly those with differing requirements, loads or ambient conditions, we recommend prior technical consultation.

Bosch d.c. relays can withstand extreme conditions. They meet the following requirements:

- ▶ High-power switching
- ▶ Function over a wide temperature range
- ▶ Excellent vibration and impact resistance
- ▶ Long service life and good climatic resistance

Bosch d.c. relays are used for switching electrical equipment that has a high power or is sensitive to voltage losses. Relays relieve the burden on control switches and provide low voltage drops with economical wire cross-sections. In addition, relays make it easy to set up interlock circuits.

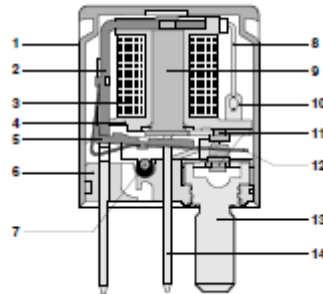
Mini and micro relays are ideal for use where space is at a premium.

Multifunction connectors allow easy assembly and extremely low fault rates on pre-tested wiring harnesses – particularly for OEMs. The same applies to servicing. The following mini and micro relay designs are available:

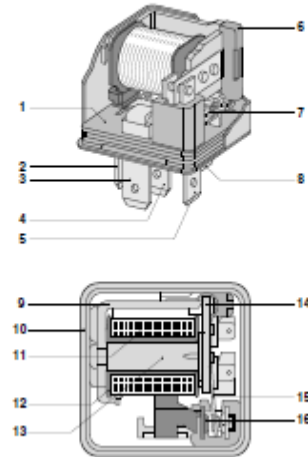
- ▶ Relays without mounting bracket, easy to plug into screw-on combination receptacle housings
- ▶ Relays with mounting bracket for connection to five-pole receptacle housing

Power relays allow a rated switching current of more than 50 A. They are suitable for switching motors, starters and other devices.

Micro relay: 1 Housing 2 Solenoid bracket and terminal 3 Coil 4 Bobbin 5 Armature 6 Base plate 7 Damping resistor or diode 8 Connecting wire 9 Core 10 Terminal 1/2 11 Contact 12 Spring 13 Terminal 4 14 Terminal 5



Mini relay: 1 Base plate 2 Terminal 86 3 Terminal 87 4 Terminal 87a 5 Terminal 85 6 Clamping piece 7 Coil connecting bracket 8 Terminal 30 9 Solenoid bracket 10 Housing 11 Coll 12 Bobbin 13 Core 14 Armature 15 Spring 16 Contact



Terms and definitions

Characteristic quantities and terms

Terms (where standardized, based on DIN 41 215)

Various characteristic quantities and their values allow an appropriate relay to be selected to perform a specific task. Each relay type must meet specific requirements at the specified characteristic values during its service life.

Response voltage Is the minimum excitation voltage that causes a relay to respond, taking into account the ambient temperature and self-heating.

Response time Is the time from closure of the feed circuit until the first closure of a make contact or the first opening of a break contact.

Operating voltage Is the value of the excitation voltage, at which the relay has the characteristic data required for operation.

Excitation voltage Is the electrical voltage that permits the electric current that flows through the excitation winding and causes excitation. Connection is via terminals 1 and 2 and terminals 85 and 86.

Rated value Is the value of a variable (e.g. voltage, current, resistance) for which a relay, its parts and its properties are designed or after which they are named.

Correction factor

Characteristic data on the excitation side relate to an ambient temperature of +20°C. If the ambient temperature is different, the winding resistance and the response and release voltages can be converted using a correction factor K:

$$K = [1 + \alpha(t_a - 20^\circ\text{C})]$$

t_a = Actual ambient or coil temperature

α = 0.004 K⁻¹ (Average temperature coefficient for copper)

Bounce time Is the time from the first to the last closure of a relay contact when the relay is shifting to a different position.

Release voltage Is the value of the maximum excitation voltage that causes a relay to release, taking into account the ambient temperature and self-heating.

Release time (release delay) Is the time from the opening of the feed circuit until the first opening of a make contact or the first closure of a break contact.

Switching voltage Is the voltage that is present between the contacts with an open circuit, when the transient effects have subsided.

Voltage drop Is the voltage at the relay connections for a closed relay contact, measured at a defined current.

Total resistance of the feed circuit Is the electrical resistance between the connecting terminals 1 and 2 and terminals 85 and 86.

Protection and operating modes

Protection types and operating modes

Switching operations

Response is an operation in which a relay moves from its idle position to its operating position.

Opening is an operation that breaks the electrical contact.

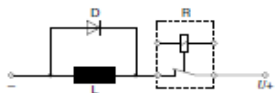
Release is an operation in which a relay moves from its operating position to its idle position.

Operating cycle is one response and release of a relay.

Number of operations is the number of operating cycles.

Closing is an operation that results in contact making.

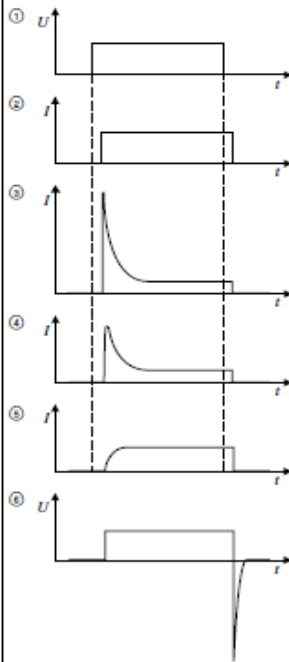
For inductive loads and motors, a protective circuit is often required, which can be implemented with a freewheeling diode parallel to the load (see circuit diagram).



L Inductive load D Freewheeling diode
U Supply voltage R Relay

Typical load curves

- ① Excitation voltage for relay coil
- ② Current curve with resistance load
- ③ Current curve with lamp load
- ④ Current curve with motor load
- ⑤ Current curve with inductive load
- ⑥ Voltage curve with inductive load



Service life

Mechanical service life specifies the number of operating cycles with current-free relay contacts for which the relay remains operational.

Contact service life specifies the number of operating cycles with electrical contact load for which the relay remains operational.

Switching contacts

Make contact is a relay contact that is open when a relay is in its idle position and closes when the relay moves to the operating position.

Break contact is a relay contact that is closed when a relay is in its idle position and opens when the relay moves to the operating position.

Double changeover contact (transfer contact) is a set of contacts with three electrically isolated connections, consisting of a make contact and a break contact. When the switching position changes, the previously closed contact opens first and the previously open contact then closes.

Product list (1)

Quick link to each p/n

Power Relays

- [0 332 002 156](#)
- [0 332 002 168](#)
- [0 332 002 256](#)
- [0 332 002 258](#)

Mini/ Micro Relays

- [0 332 011 007](#)
- [0 332 015 001](#)
- [0 332 015 002](#)
- [0 332 015 006](#)
- [0 332 015 008](#)
- [0 332 019 103](#)
- [0 332 019 109](#)
- [0 332 019 110](#)
- [0 332 019 150](#)
- [0 332 019 151](#)
- [0 332 019 155](#)
- [0 332 019 157](#)
- [0 332 019 203](#)

- [0 332 019 205](#)
- [0 332 019 213](#)
- [0 332 019 456](#)
- [0 332 019 801](#)
- [0 332 201 107](#)
- [0 332 207 402](#)
- [0 332 207 405](#)
- [0 332 209 138](#)
- [0 332 209 150](#)
- [0 332 209 151](#)
- [0 332 209 152](#)
- [0 332 209 158](#)
- [0 332 209 159](#)
- [0 332 209 203](#)
- [0 332 209 204](#)
- [0 332 209 206](#)
- [0 332 209 207](#)
- [0 332 209 211](#)
- [0 332 209 216](#)

- [0 332 514 120](#)
- [0 332 514 121](#)
- [0 332 515 009](#)
- [0 332 515 012](#)
- [0 332 515 022](#)
- [0 986 332 001](#)
- [0 986 332 002](#)
- [0 986 332 004](#)
- [0 986 332 021](#)
- [0 986 332 022](#)
- [0 986 332 030](#)
- [0 986 332 040](#)
- [0 986 332 041](#)
- [0 986 332 050](#)
- [0 986 332 053](#)
- [0 986 332 071](#)
- [0 986 332 072](#)
- [0 986 332 080](#)
- [0 986 332 086](#)

- [0 986 332 087](#)
- [0 986 332 091](#)

Power Relays

- [0 333 300 003](#)
- [0 333 301 007](#)
- [0 333 301 009](#)
- [0 333 301 010](#)
- [0 333 301 015](#)

Hazard-warning-signal flasher

- [0 335 200 038](#)
- [0 335 200 041](#)
- [0 335 200 160](#)
- [0 335 215 143](#)
- [0 335 215 154](#)

Pico Relay

- [0986 AH0 093](#)

Product list (2)

Quick link to each p/n

Mini / Micro Relays

- [0 986 332 201](#)
- [0 986 332 202](#)
- [0 986 332 203](#)
- [0 986 332 205](#)
- [0 986 332 206](#)
- [0 986 332 209](#)
- [0 986 332 210](#)
- [0 986 332 211](#)
- [0 986 332 212](#)
- [0 986 335 058](#)
- [0 986 AH0 080](#)
- [0 986 AH0 081](#)
- [0 986 AH0 082](#)
- [0 986 AH0 083](#)
- [0 986 AH0 113](#)
- [0 986 AH0 114](#)
- [0 986 AH0 115](#)
- [0 986 AH0 116](#)
- [0 986 AH0 135](#)
- [0 986 AH0 140](#)
- [0 986 AH0 150](#)
- [0 986 AH0 151](#)
- [0 986 AH0 204](#)
- [0 986 AH0 206](#)
- [0 986 AH0 237](#)
- [0 986 AH0 250](#)
- [0 986 AH0 251](#)
- [0 986 AH0 253](#)
- [0 986 AH0 282](#)
- [0 986 AH0 285](#)
- [0 986 AH0 288](#)
- [0 986 AH0 296](#)
- [0 986 AH0 297](#)
- [0 986 AH0 300](#)
- [0 986 AH0 302](#)
- [0 986 AH0 304](#)
- [0 986 AH0 305](#)
- [0 986 AH0 307](#)
- [0 986 AH0 308](#)
- [0 986 AH0 309](#)
- [0 986 AH0 320](#)
- [0 986 AH0 321](#)
- [0 986 AH0 322](#)
- [0 986 AH0 323](#)
- [0 986 AH0 328](#)
- [0 986 AH0 404](#)
- [0 986 AH0 453](#)
- [0 986 AH0 602](#)
- [0 986 AH0 603](#)
- [0 986 AH0 605](#)
- [0 986 AH0 611](#)
- [0 986 AH0 612](#)
- [0 986 AH0 613](#)
- [0 986 AH0 614](#)
- [0 986 AH0 615](#)
- [0 986 AH0 617](#)
- [0 986 AH0 622](#)
- [0 986 AH0 625](#)
- [0 986 AH0 803](#)
- [0 986 AH0 811](#)

Nano Relays

- [0 986 AH0 090](#)
- [0 986 AH0 091](#)
- [0 986 AH0 092](#)

Sockets

- [3 334 485 007](#)
- [3 334 485 008](#)
- [3 334 485 041](#)
- [3 334 485 045](#)
- [3 334 485 046](#)
- [3 334 486 049](#)

Product Family Relays - Overview

Micro Nano Pico
Relays
Chapter

Mini
Relays
Chapter

Battery
Relays
Chapter

Lamp
Relays
Chapter

Power
Relays
Chapter

Product Family Relays - Overview

Sockets

Chapter

Hot Wire
Flashers

Chapter

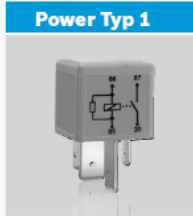
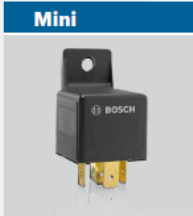
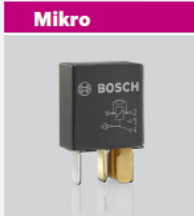
Others

Chapter

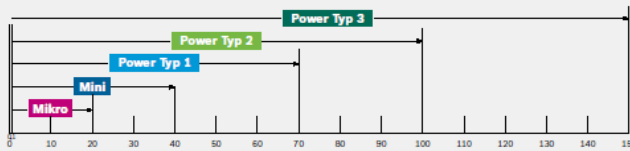
Quick application
guide

Link

Bosch-Relais: Verwendungsübersicht



Nennstrom der unterschiedlichen Relais



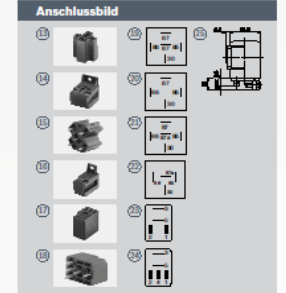
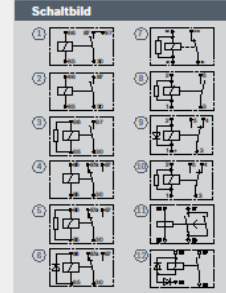
| Sachnummer | Spannung V | Schaltstrom A | Lasche L/O | Typ ¹⁾ S/D/S/W/O | Barfell ²⁾ R/D/o/V | Schaltbild / Anschlussbild |
|---------------|------------|---------------|------------|-----------------------------|-------------------------------|----------------------------|
| 0 332 011 007 | 12 | 30 | O | S | R | 8 / 23 |
| 0 986 AHO 090 | 12 | 20 | O | S | R | 8 / 23 |
| 0 986 AHO 091 | 12 | 20 | N | S | R | 8 / 23 |
| 0 332 201 107 | 12 | 30 | O | W | R | 10 / 24 |
| 0 332 207 402 | 24 | 10 | O | W | D | 9 / 24 |
| 0 332 207 405 | 24 | 10 | O | W | R | 10 / 24 |
| 0 332 019 150 | 12 | 50 | L | S, 2x87 | o | 1 / 19 |
| 0 332 019 110 | 12 | 50 | L | S | R | 3 / 20 |
| 0 332 019 151 | 12 | 50 | O | S, 2x87 | o | 1 / 19 |
| 0 332 019 157 | 12 | 40 | L | S | o | 2 / 20 |
| 0 332 019 203 | 24 | 40 | L | S, 2x87 | o | 1 / 19 |
| 0 332 019 205 | 24 | 40 | O | S | o | 2 / 20 |
| 0 332 109 011 | 12 | 20 | O | O | R | 7 / 22 |
| 0 332 209 150 | 12 | 50 | L | W | o | 4 / 21 |
| 0 332 209 151 | 12 | 50 | O | W | o | 4 / 21 |
| 0 332 209 152 | 12 | 50 | O | W | D | 6 / 21 |
| 0 332 209 203 | 24 | 40 | L | W | o | 4 / 21 |
| 0 332 209 204 | 24 | 40 | O | W | D | 6 / 21 |
| 0 332 209 206 | 24 | 40 | O | W | R | 5 / 21 |
| 0 332 209 211 | 24 | 40 | O | W | o | 4 / 21 |
| 0 332 204 202 | 24 | 20 | O | W, kl. B. | o | 4 / 21 |
| 0 332 204 203 | 24 | 20 | L | W, kl. B. | o | 4 / 21 |
| 0 332 204 204 | 24 | 20 | O | W, kl. B. | D | 6 / 21 |
| 0 986 AHO 080 | 12 | 70 | L | S | o | 2 / 20 |
| 0 986 AHO 081 | 24 | 50 | L | S | o | 2 / 20 |
| 0 986 AHO 082 | 12 | 70 | O | S | R | 3 / 20 |
| 0 986 AHO 083 | 24 | 50 | O | S | R | 3 / 20 |
| 0 332 002 168 | 12 | 75 | L | S | R | 3 / 25 |
| 0 332 002 156 | 12 | 75 | L | S | D | 12 / 25 |
| 0 332 002 258 | 24 | 50 | L | S | R | 3 / 25 |
| 0 332 002 256 | 24 | 50 | L | S | D | 12 / 25 |
| 0 986 332 086 | 12 | 150 | L | S | R | 8 / 26 |
| 0 986 332 087 | 12 | 150 | L | W | R | 10 / 26 |
| 0 986 332 091 | 24 | 150 | L | DS | R | 13 / 27 |

Socket für Minirelais

| | | | |
|---------------|-------|-----------|----|
| 3 334 485 007 | 12/24 | O | 13 |
| 3 334 485 008 | 12/24 | L | 14 |
| 3 334 485 041 | 12/24 | zum Lötén | 15 |

Socket für Mikrorelais

| | | | |
|---------------|-------|-----------|----|
| 3 334 485 045 | 12/24 | L | 16 |
| 3 334 485 046 | 12/24 | O | 17 |
| 3 334 485 049 | 12/24 | zum Lötén | 18 |



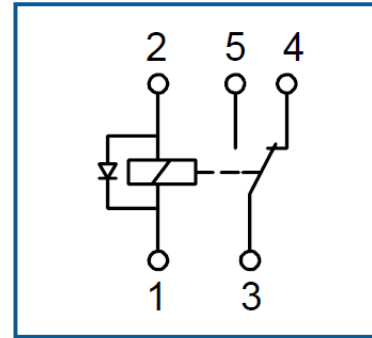
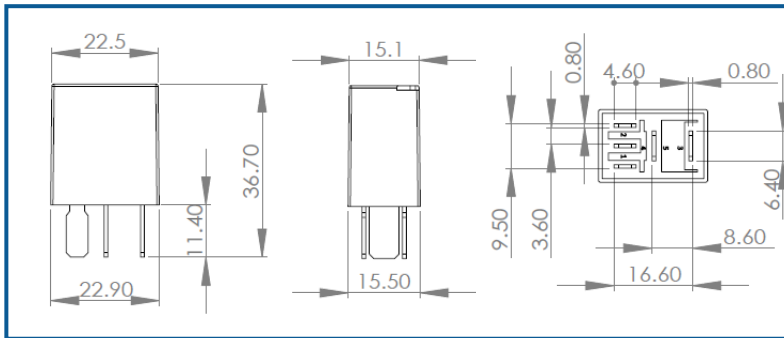
Musterabbildungen. Produkt kann geringfügig von den Abbildungen abweichen.

Micro Relays 24 V, 10 A

0 986 AH0 302

| Change over | Normal close | Normal open |
|-------------|--------------|-------------|
| ✓ | | |

| Mounting bracket | Resistor | Diode | Life durability | Current | Voltage | Number of Pins | Housing type | Temperature range | Degree of protection housing | Degree of protection connection |
|------------------|----------|-------|-----------------|---------|---------|----------------|-----------------|-------------------|------------------------------|---------------------------------|
| X | X | ✓ | 100.000 | 10 A | 24 V | 5 | Plastic housing | -40... +100°C | IP5K4 | IP20 |



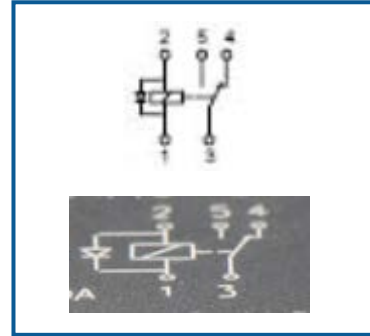
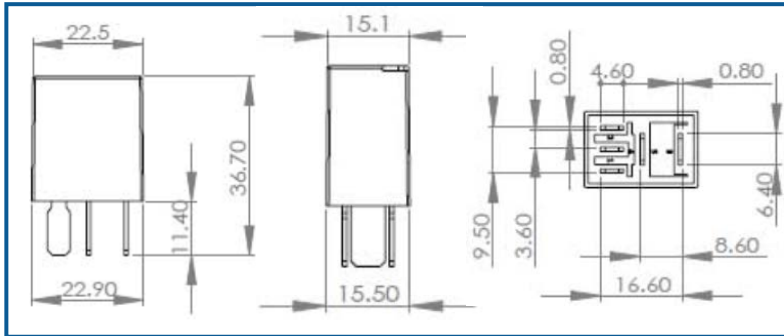
[Back to general overview](#)

Micro Relays 12 V, 20 A

0 986 AH0 304

| Change over | Normal close | Normal open |
|-------------|--------------|-------------|
| ✓ | | |

| Mounting bracket | Resistor | Diode | Life durability | Current | Voltage | Number of Pins | Housing type | Temperature range | Degree of protection housing | Degree of protection connection |
|------------------|----------|-------|-----------------|---------|---------|----------------|-----------------|-------------------|------------------------------|---------------------------------|
| X | X | ✓ | 100.000 | 20 A | 12 V | 5 | Plastic housing | -40... +100°C | IP5K4 | IP20 |



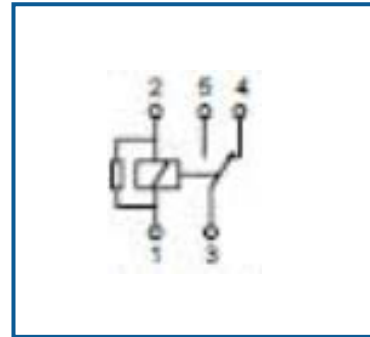
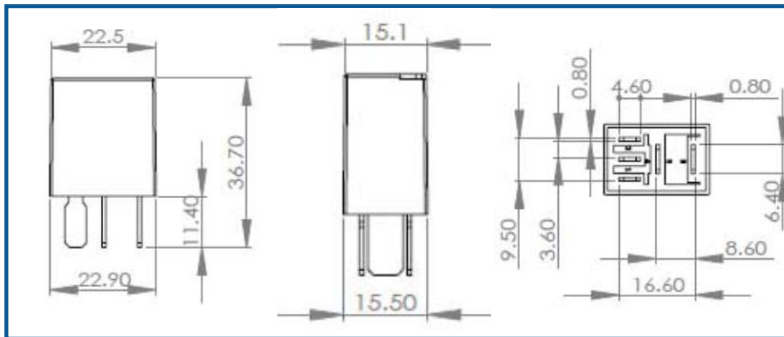
[Back to general overview](#)

Micro Relays 24 V, 10/5 A

0 986 AH0 305

| Change over | Normal close | Normal open |
|-------------|--------------|-------------|
| ✓ | | |

| Mounting bracket | Resistor | Diode | Life durability | Current | Voltage | Number of Pins | Housing type | Temperature range | Degree of protection housing | Degree of protection connection |
|------------------|----------|-------|-----------------|---------|---------|----------------|-----------------|-------------------|------------------------------|---------------------------------|
| X | ✓ | X | 100.000 | 10/5 A | 24 V | 5 | Plastic housing | -40... +100°C | IP5K4 | IP20 |



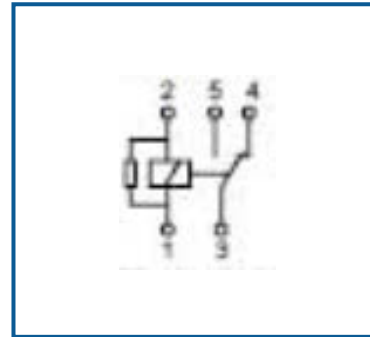
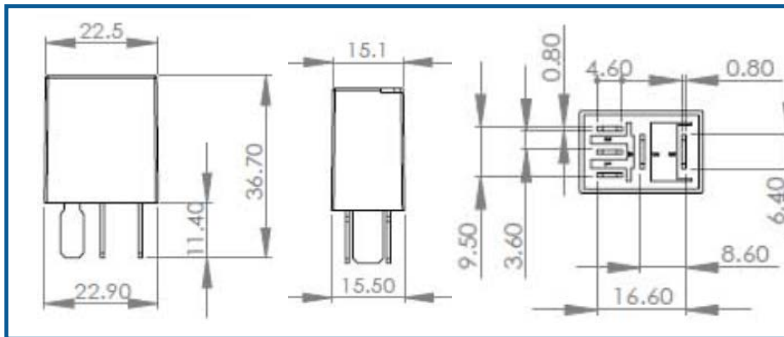
[Back to general overview](#)

Micro Relays 12 V, 30/10 A

0 986 AH0 307

| Change over | Normal close | Normal open |
|-------------|--------------|-------------|
| ✓ | | |

| Mounting bracket | Resistor | Diode | Life durability | Current | Voltage | Number of Pins | Housing type | Temperature range | Degree of protection housing | Degree of protection connection |
|------------------|----------|-------|-----------------|---------|---------|----------------|-----------------|-------------------|------------------------------|---------------------------------|
| X | ✓ | X | 100.000 | 30 A | 12 V | 5 | Plastic housing | -40... +100°C | IP5K4 | IP20 |



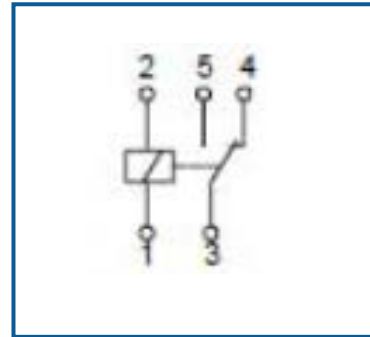
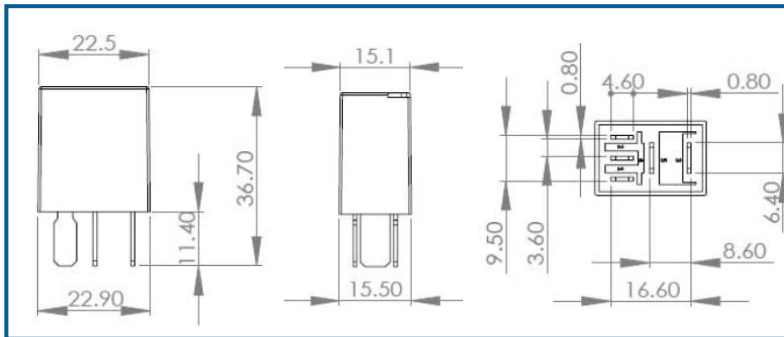
[Back to general overview](#)

Micro Relays 12 V, 30 A

0 986 AH0 308

| Change over | Normal close | Normal open |
|-------------|--------------|-------------|
| ✓ | | |

| Mounting bracket | Resistor | Diode | Life durability | Current | Voltage | Number of pins | Housing type | Temperature range | Degree of protection housing | Degree of protection connection |
|------------------|----------|-------|-----------------|---------|---------|----------------|-----------------|-------------------|------------------------------|---------------------------------|
| X | X | X | 100.000 | 30 A | 12 V | 5 | Plastic housing | -40... +100°C | IP5K4 | IP20 |



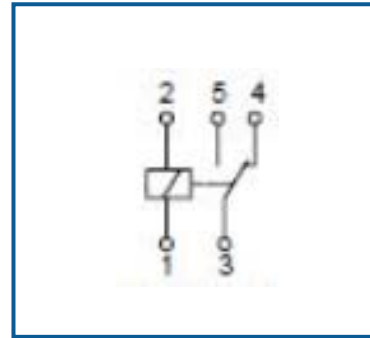
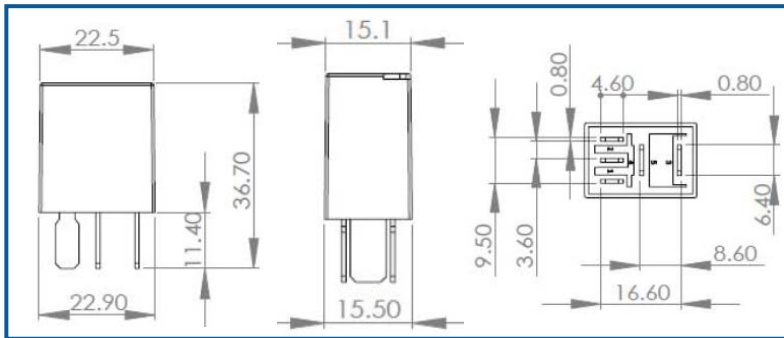
[Back to general overview](#)

Micro Relays 24 V, 10 A

0 986 AH0 309

| Change over | Normal close | Normal open |
|-------------|--------------|-------------|
| ✓ | | |

| Mounting bracket | Resistor | Diode | Life durability | Current | Voltage | Number of Pins | Housing type | Temperature range | Degree of protection housing | Degree of protection connection |
|------------------|----------|-------|-----------------|---------|---------|----------------|-----------------|-------------------|------------------------------|---------------------------------|
| X | X | X | 100.000 | 10 A | 24 V | 5 | Plastic housing | -40... +100°C | IP5K4 | IP20 |



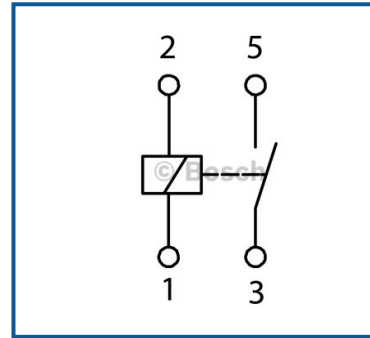
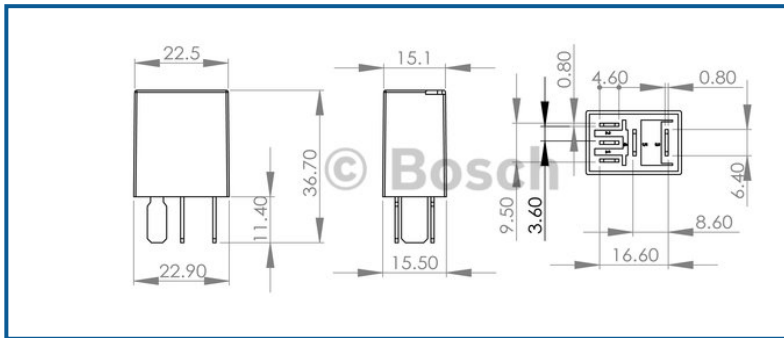
[Back to general overview](#)

Micro Relays 12 V, 20 A

0 986 AH0 320

| Change over | Normal close | Normal open |
|-------------|--------------|-------------|
| | | ✓ |

| Mounting bracket | Resistor | Diode | Life durability | Current | Voltage | Number of Pins | Housing type | Temperature range | Degree of protection housing | Degree of protection connection |
|------------------|----------|-------|-----------------|---------|---------|----------------|-----------------|-------------------|------------------------------|---------------------------------|
| X | X | X | 100.000 | 20 A | 12 V | 4 | Plastic housing | -40... +100°C | IP5K4 | IP20 |



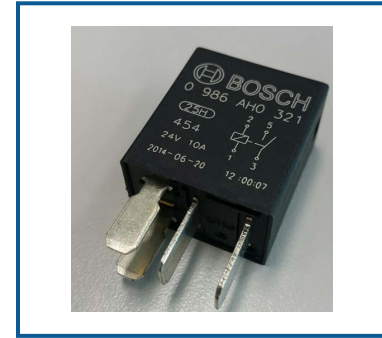
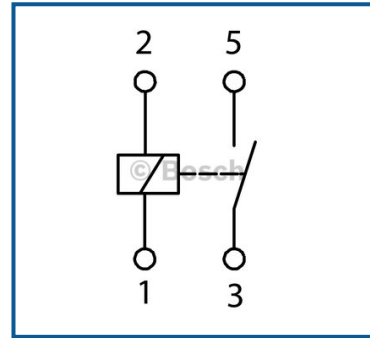
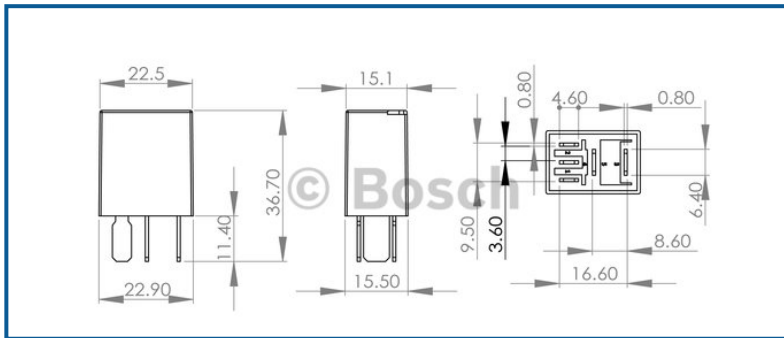
[Back to general overview](#)

Micro Relays 24 V, 10 A

0 986 AH0 321

| Change over | Normal close | Normal open |
|-------------|--------------|-------------|
| | | ✓ |

| Mounting bracket | Resistor | Diode | Life durability | Current | Voltage | Number of Pins | Housing type | Temperature range | Degree of protection housing | Degree of protection connection |
|------------------|----------|-------|-----------------|---------|---------|----------------|-----------------|-------------------|------------------------------|---------------------------------|
| X | X | X | 100.000 | 10 A | 24 V | 4 | Plastic housing | -40... +100°C | IP5K4 | IP20 |



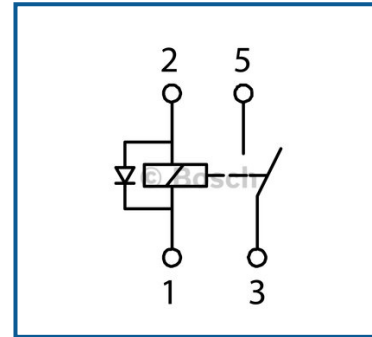
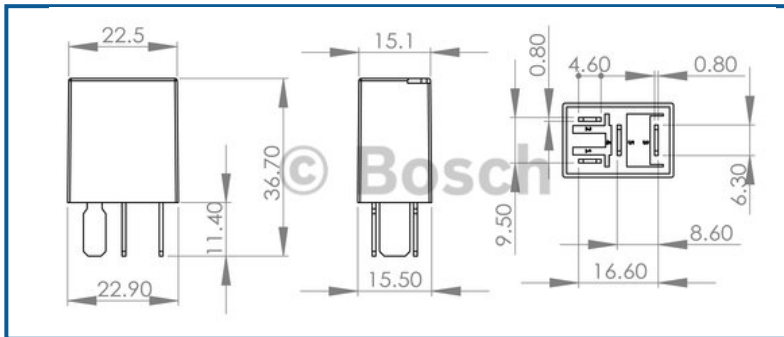
[Back to general overview](#)

Micro Relays 12 V, 10 A

0 986 AH0 322

| Change over | Normal close | Normal open |
|-------------|--------------|-------------|
| | | ✓ |

| Mounting bracket | Resistor | Diode | Life durability | Current | Voltage | Number of Pins | Housing type | Temperature range | Degree of protection housing | Degree of protection connection |
|------------------|----------|-------|-----------------|---------|---------|----------------|-----------------|-------------------|------------------------------|---------------------------------|
| X | X | ✓ | 100.000 | 10 A | 12 V | 4 | Plastic housing | -40... +100°C | IP5K4 | IP20 |



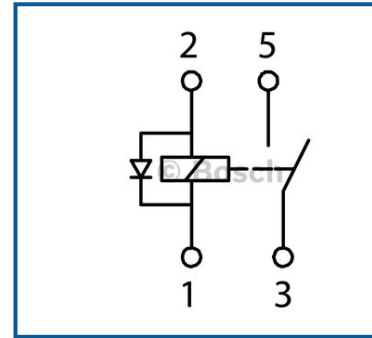
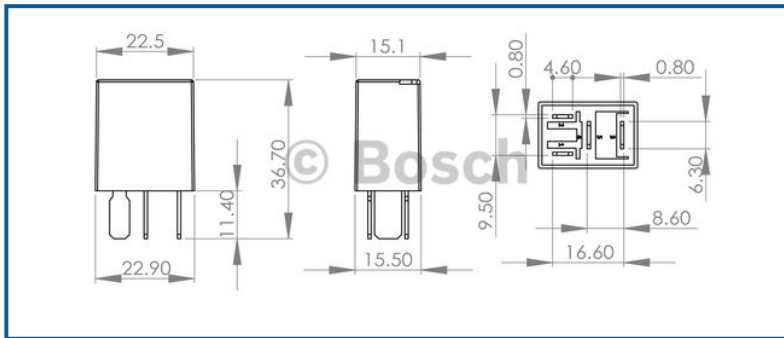
[Back to general overview](#)

Micro Relays 24 V, 10 A

0 986 AH0 323

| Change over | Normal close | Normal open |
|-------------|--------------|-------------|
| | | ✓ |

| Mounting bracket | Resistor | Diode | Life durability | Current | Voltage | Number of Pins | Housing type | Temperature range | Degree of protection housing | Degree of protection connection |
|------------------|----------|-------|-----------------|---------|---------|----------------|-----------------|-------------------|------------------------------|---------------------------------|
| X | X | ✓ | 100.000 | 10 A | 24 V | 4 | Plastic housing | -40... +100°C | IP5K4 | IP20 |



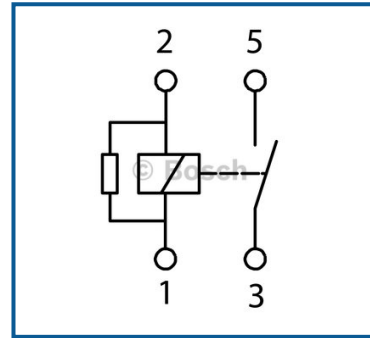
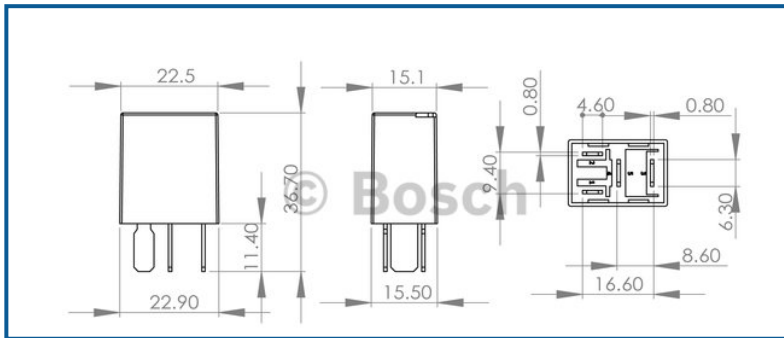
[Back to general overview](#)

Micro Relays 24 V, 10 A

0 986 AH0 328

| Change over | Normal close | Normal open |
|-------------|--------------|-------------|
| | | ✓ |

| Mounting bracket | Resistor | Diode | Life durability | Current | Voltage | Number of Pins | Housing type | Temperature range | Degree of protection housing | Degree of protection connection |
|------------------|----------|-------|-----------------|---------|---------|----------------|-----------------|-------------------|------------------------------|---------------------------------|
| X | ✓ | X | 100.000 | 10 A | 24 V | 4 | Plastic housing | -40... +100°C | IP5K4 | IP20 |



[Back to general overview](#)

Mini Relays

Overview

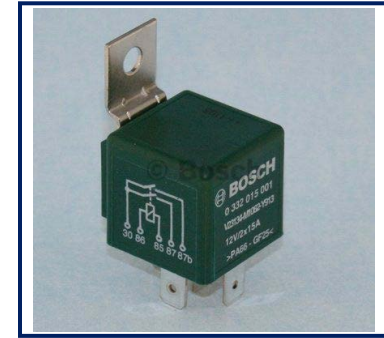
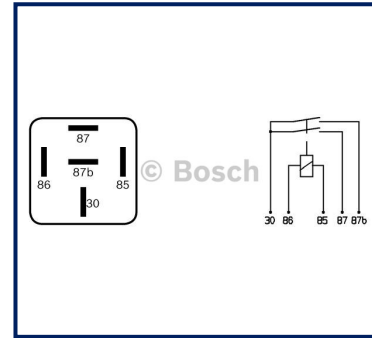
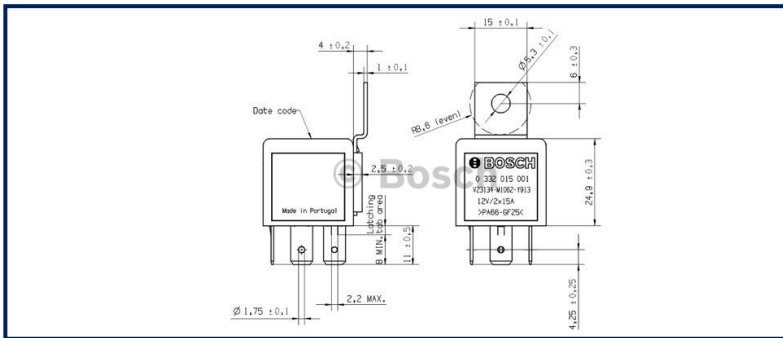
Mini Relays 12 V, 15 A

0 332 015 001

| Change over | Normal close | Normal open |
|-------------|--------------|-------------|
| | | ✓ |

2 x make contact

| Mounting bracket | Resistor | Diode | Life durability | Current | Voltage | Number of Pins | Housing type | Temperature range | Degree of protection housing | Degree of protection connection |
|------------------|----------|-------|-----------------|---------|---------|----------------|-----------------|-------------------|------------------------------|---------------------------------|
| ✓ | X | X | 100.000 | 2x15 A | 12 V | 5 | Plastic housing | -40... +100°C | IP5K4 | IP20 |



[Back to general overview](#)

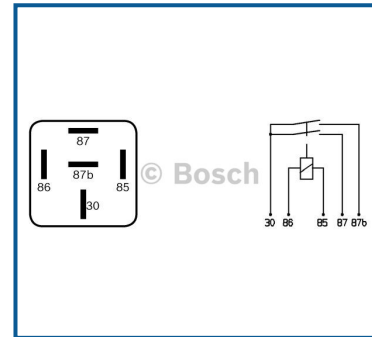
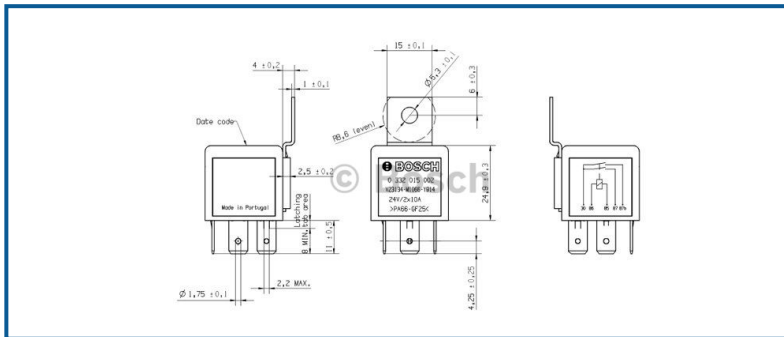
Mini Relays 24 V, 2x15 A

0 332 015 002

| Change over | Normal close | Normal open |
|-------------|--------------|-------------|
| | | ✓ |

2 x make contact

| Mounting bracket | Resistor | Diode | Life durability | Current | Voltage | Number of Pins | Housing type | Temperature range | Degree of protection housing | Degree of protection connection |
|------------------|----------|-------|-----------------|---------|---------|----------------|-----------------|-------------------|------------------------------|---------------------------------|
| ✓ | X | X | 100.000 | 2x15 A | 24 V | 5 | Plastic housing | -40... +100°C | IP5K4 | IP20 |



[Back to general overview](#)

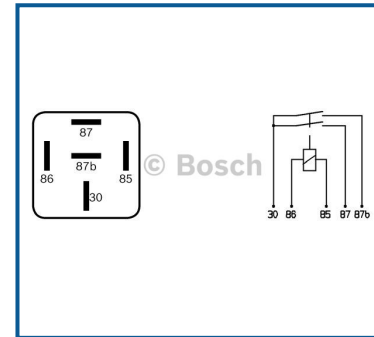
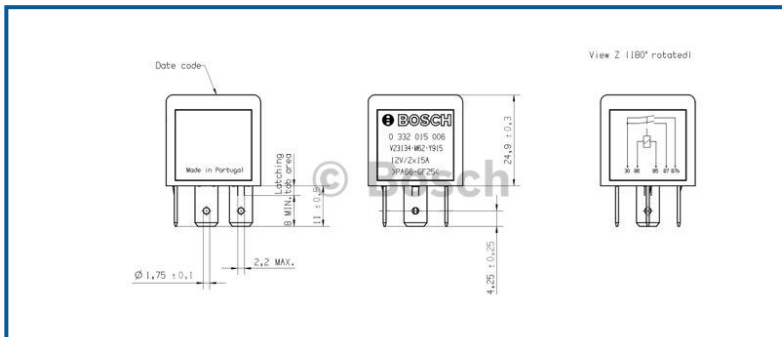
Mini Relays 12 V, 2x15 A

0 332 015 006

| Change over | Normal close | Normal open |
|-------------|--------------|-------------|
| | | ✓ |

2 x make contact

| Mounting bracket | Resistor | Diode | Life durability | Current | Voltage | Number of Pins | Housing type | Temperature range | Degree of protection housing | Degree of protection connection |
|------------------|----------|-------|-----------------|---------|---------|----------------|-----------------|-------------------|------------------------------|---------------------------------|
| X | X | X | 100.000 | 2x15 A | 12 V | 5 | Plastic housing | -40... +100°C | IP5K4 | IP20 |



[Back to general overview](#)

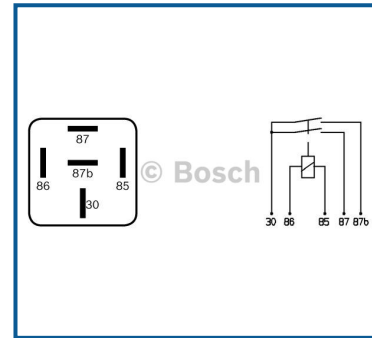
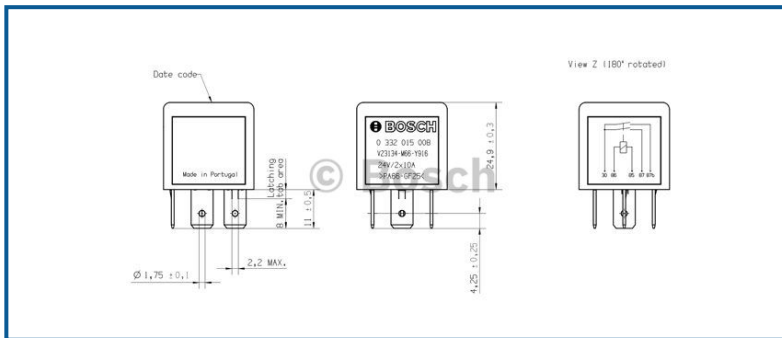
Mini Relays 12 V, 2x10 A

0 332 015 008

| Change over | Normal close | Normal open |
|-------------|--------------|-------------|
| | | ✓ |

2 x make contact

| Mounting bracket | Resistor | Diode | Life durability | Current | Voltage | Number of Pins | Housing type | Temperature range | Degree of protection housing | Degree of protection connection |
|------------------|----------|-------|-----------------|---------|---------|----------------|-----------------|-------------------|------------------------------|---------------------------------|
| X | X | X | 100.000 | 2x15 A | 12 V | 5 | Plastic housing | -40... +100°C | IP5K4 | IP20 |



[Back to general overview](#)

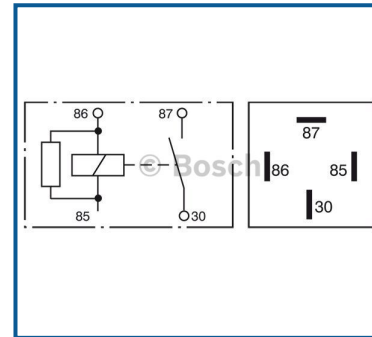
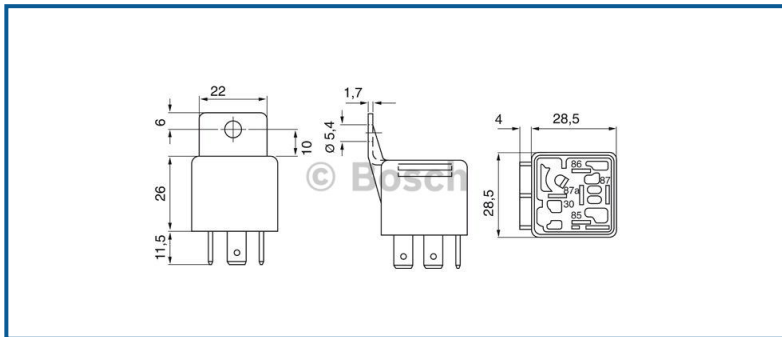
Mini Relays 12 V, 30 A

0 332 019 103

| Change over | Normal close | Normal open |
|-------------|--------------|-------------|
| | | ✓ |

Replaced by 0 986 332 209

| Mounting bracket | Resistor | Diode | Life durability | Current | Voltage | Number of Pins | Housing type | Temperature range | Degree of protection housing | Degree of protection connection |
|------------------|----------|-------|-----------------|---------|---------|----------------|-----------------|-------------------|------------------------------|---------------------------------|
| ✓ | ✓ | X | 250.000 | 30 A | 12 V | 4 | Plastic housing | -40...+100°C | IP5K4 | IP20 |



[Back to general overview](#)

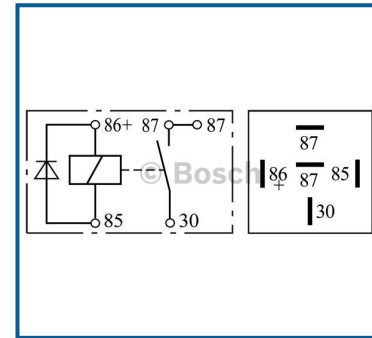
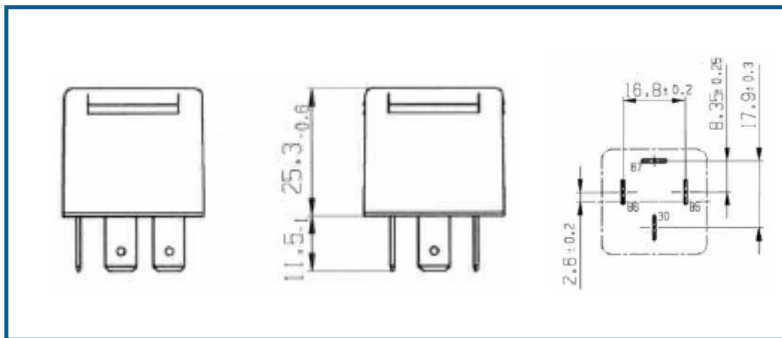
Mini Relays 12 V, 30 A

0 332 019 109

| Change over | Normal close | Normal open |
|-------------|--------------|-------------|
| | | ✓ |

2 x 87 terminal

| Mounting bracket | Resistor | Diode | Life durability | Current | Voltage | Number of Pins | Housing type | Temperature range | Degree of protection housing | Degree of protection connection |
|------------------|----------|-------|-----------------|---------|---------|----------------|-----------------|-------------------|------------------------------|---------------------------------|
| X | X | ✓ | 50.000 | 30 A | 12 V | 5 | Plastic housing | -40... +100°C | IP5K4 | IP20 |



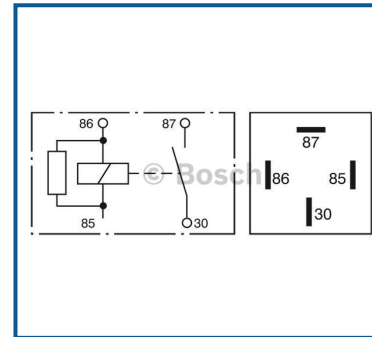
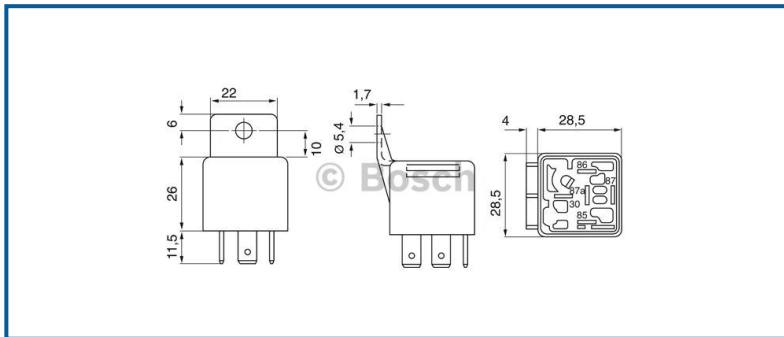
[Back to general overview](#)

Mini Relays 12 V, 30 A

0 332 019 110

| Change over | Normal close | Normal open |
|-------------|--------------|-------------|
| | | ✓ |

| Mounting bracket | Resistor | Diode | Life durability | Current | Voltage | Number of Pins | Housing type | Temperature range | Degree of protection housing | Degree of protection connection |
|------------------|----------|-------|-----------------|---------|---------|----------------|-----------------|-------------------|------------------------------|---------------------------------|
| ✓ | ✓ | X | 250.000 | 30 A | 12 V | 4 | Plastic housing | -40... +100°C | IP5K4 | IP20 |



[Back to general overview](#)

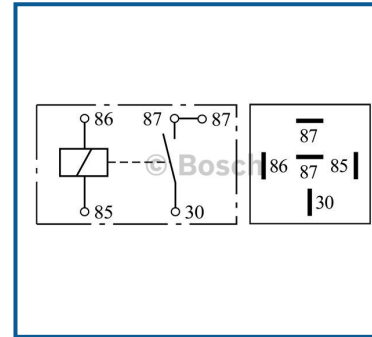
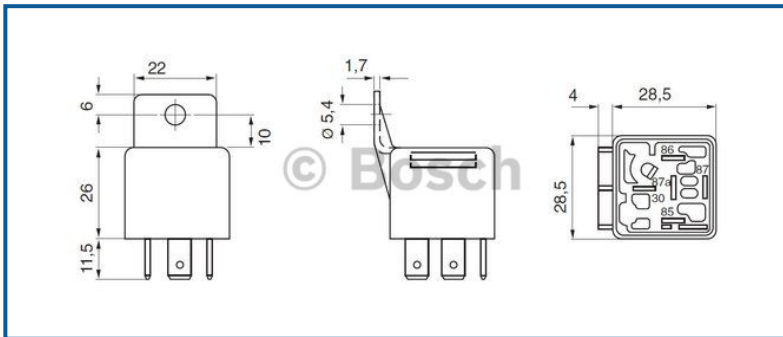
Mini Relays 12 V, 30 A

0 332 019 150

| Change over | Normal close | Normal open |
|-------------|--------------|-------------|
| | | ✓ |

2 x 87 terminal

| Mounting bracket | Resistor | Diode | Life durability | Current | Voltage | Number of Pins | Housing type | Temperature range | Degree of protection housing | Degree of protection connection |
|------------------|----------|-------|-----------------|---------|---------|----------------|-----------------|-------------------|------------------------------|---------------------------------|
| ✓ | X | X | 250.000 | 30 A | 12 V | 5 | Plastic housing | -40... +100°C | IP5K4 | IP20 |



[Back to general overview](#)

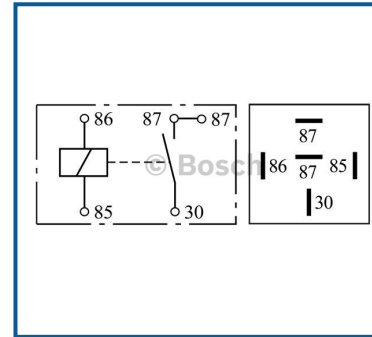
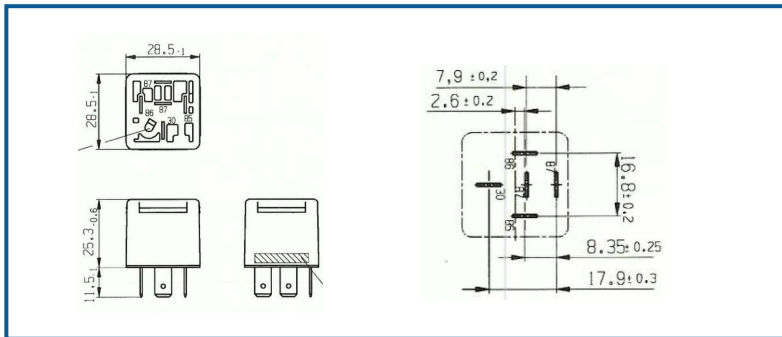
Mini Relays 12 V, 30 A

0 332 019 151

| Change over | Normal close | Normal open |
|-------------|--------------|-------------|
| | | ✓ |

2 x 87 terminal

| Mounting bracket | Resistor | Diode | Life durability | Current | Voltage | Number of Pins | Housing type | Temperature range | Degree of protection housing | Degree of protection connection |
|------------------|----------|-------|-----------------|---------|---------|----------------|-----------------|-------------------|------------------------------|---------------------------------|
| X | X | X | 250.000 | 30 A | 12 V | 5 | Plastic housing | -40... +100°C | IP5K4 | IP20 |



[Back to general overview](#)

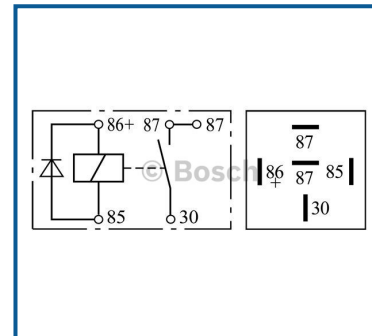
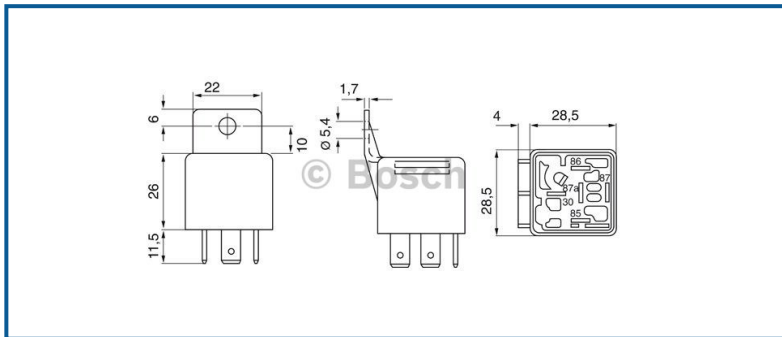
Mini Relays 12 V, 30 A

0 332 019 155

| Change over | Normal close | Normal open |
|-------------|--------------|-------------|
| | | ✓ |

2 x 87 terminal

| Mounting bracket | Resistor | Diode | Life durability | Current | Voltage | Number of Pins | Housing type | Temperature range | Degree of protection housing | Degree of protection connection |
|------------------|----------|-------|-----------------|---------|---------|----------------|-----------------|-------------------|------------------------------|---------------------------------|
| ✓ | X | ✓ | 100.000 | 30 A | 12 V | 5 | Plastic housing | -40... +100°C | IP5K4 | IP20 |



[Back to general overview](#)

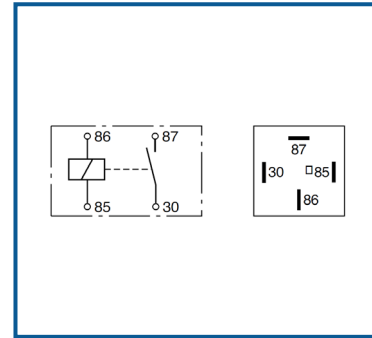
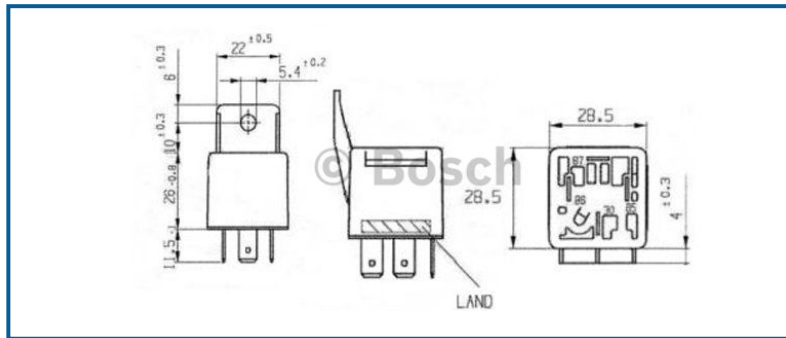
Mini Relays 12 V, 30 A

0 332 019 157

| Change over | Normal close | Normal open |
|-------------|--------------|-------------|
| | ✓ | |

Replaced by 0 986 332 210

| Mounting bracket | Resistor | Diode | Life durability | Current | Voltage | Number of Pins | Housing type | Temperature range | Degree of protection housing | Degree of protection connection |
|------------------|----------|-------|-----------------|---------|---------|----------------|-----------------|-------------------|------------------------------|---------------------------------|
| ✓ | X | X | 250.000 | 30 A | 12 V | 4 | Plastic housing | -40... +100°C | IP5K4 | IP20 |



[Back to general overview](#)

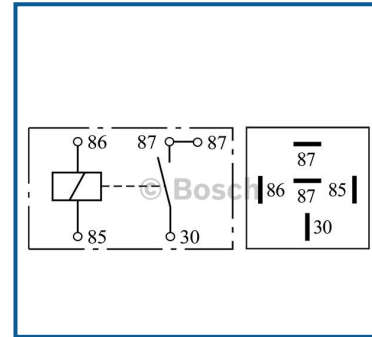
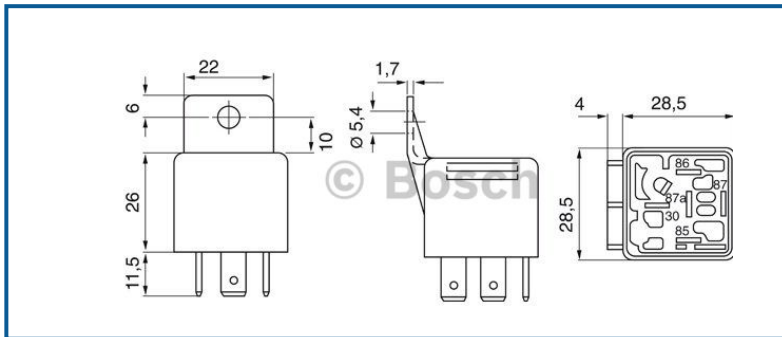
Mini Relays 24 V, 20 A

0 332 019 203

| Change over | Normal close | Normal open |
|-------------|--------------|-------------|
| | | ✓ |

2 x 87 terminal

| Mounting bracket | Resistor | Diode | Life durability | Current | Voltage | Number of Pins | Housing type | Temperature range | Degree of protection housing | Degree of protection connection |
|------------------|----------|-------|-----------------|---------|---------|----------------|-----------------|-------------------|------------------------------|---------------------------------|
| ✓ | X | X | 250.000 | 20 A | 24 V | 5 | Plastic housing | -40... +100°C | IP5K4 | IP20 |



[Back to general overview](#)

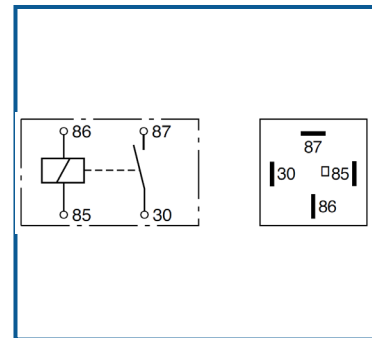
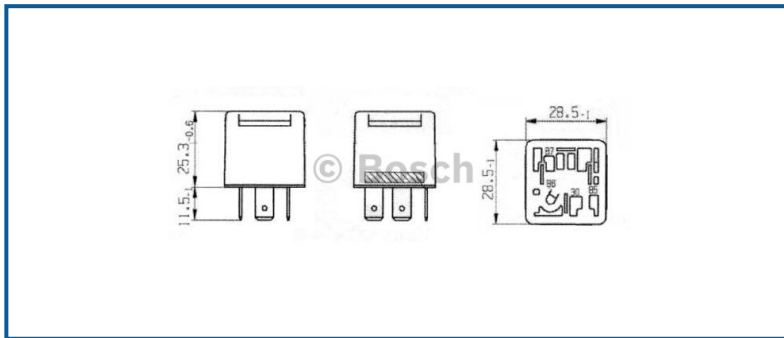
Mini Relays 24 V, 20 A

0 332 019 205

| Change over | Normal close | Normal open |
|-------------|--------------|-------------|
| ✓ | | |

replaced by 0 986 332 201

| Mounting bracket | Resistor | Diode | Life durability | Current | Voltage | Number of Pins | Housing type | Temperature range | Degree of protection housing | Degree of protection connection |
|------------------|----------|-------|-----------------|---------|---------|----------------|-----------------|-------------------|------------------------------|---------------------------------|
| X | X | X | 250.000 | 20 A | 24 V | 4 | Plastic housing | -40... +100°C | IP5K4 | IP20 |



[Back to general overview](#)

Mini Relays 24 V, 20 A

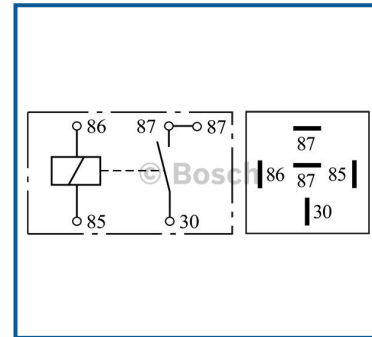
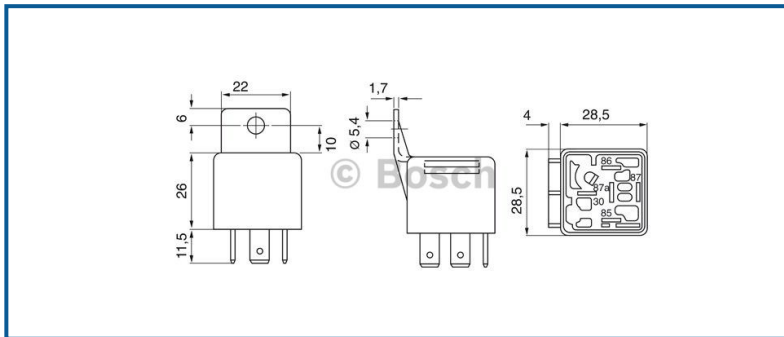
0 332 019 213

| Change over | Normal close | Normal open |
|-------------|--------------|-------------|
| | | ✓ |

2 x 87 terminal

replaced by 0 986 332 202

| Mounting bracket | Resistor | Diode | Life durability | Current | Voltage | Number of Pins | Housing type | Temperature range | Degree of protection housing | Degree of protection connection |
|------------------|----------|-------|-----------------|---------|---------|----------------|-----------------|-------------------|------------------------------|---------------------------------|
| ✓ | X | X | 250.000 | 20 A | 24 V | 5 | Plastic housing | -40... +100°C | IP5K4 | IP20 |



[Back to general overview](#)

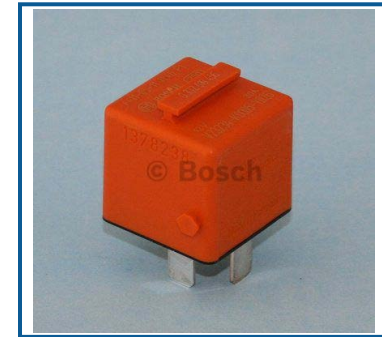
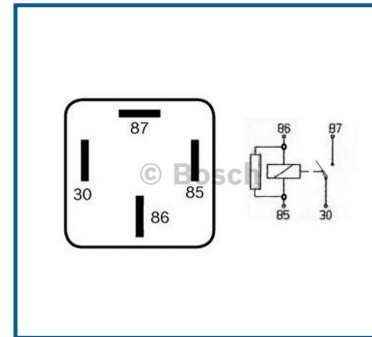
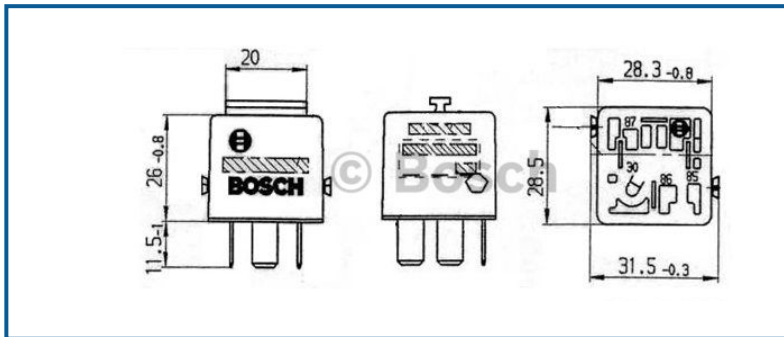
Mini Relays 12 V, 30 A

0 332 019 456

| Change over | Normal close | Normal open |
|-------------|--------------|-------------|
| | | ✓ |

replaced by 0 986 332 211

| Mounting bracket | Resistor | Diode | Life durability | Current | Voltage | Number of Pins | Housing type | Temperature range | Degree of protection housing | Degree of protection connection |
|------------------|----------|-------|-----------------|---------|---------|----------------|-----------------|-------------------|------------------------------|---------------------------------|
| X | ✓ | X | 250.000 | 30 A | 12 V | 4 | Plastic housing | -40... +100°C | IP5K4 | IP20 |



[Back to general overview](#)

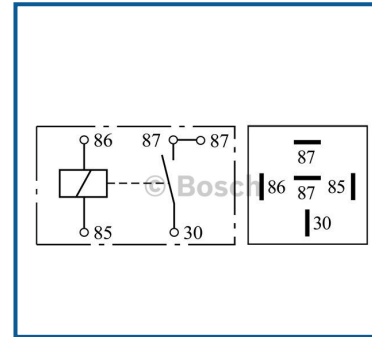
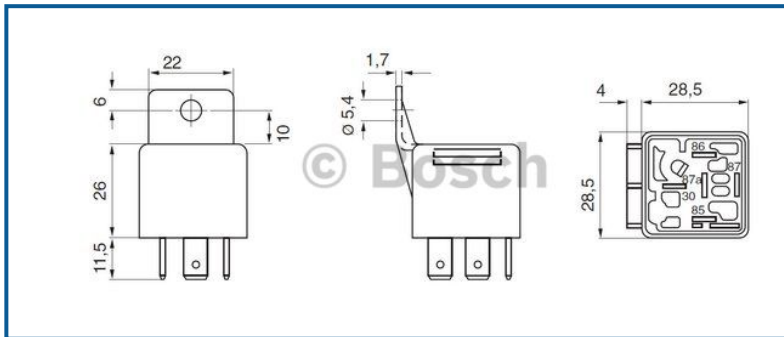
Mini Relays 12 V, 30 A

0 332 019 801

| Change over | Normal close | Normal open |
|-------------|--------------|-------------|
| | | ✓ |

2 x 87 terminal

| Mounting bracket | Resistor | Diode | Life durability | Current | Voltage | Number of Pins | Housing type | Temperature range | Degree of protection housing | Degree of protection connection |
|------------------|----------|-------|-----------------|---------|---------|----------------|-----------------|-------------------|------------------------------|---------------------------------|
| ✓ | X | X | 250.000 | 30 A | 12 V | 5 | Plastic housing | -40...+100°C | IP5K4 | IP20 |



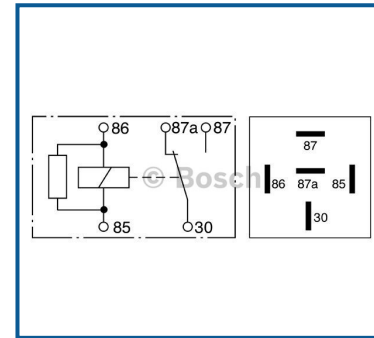
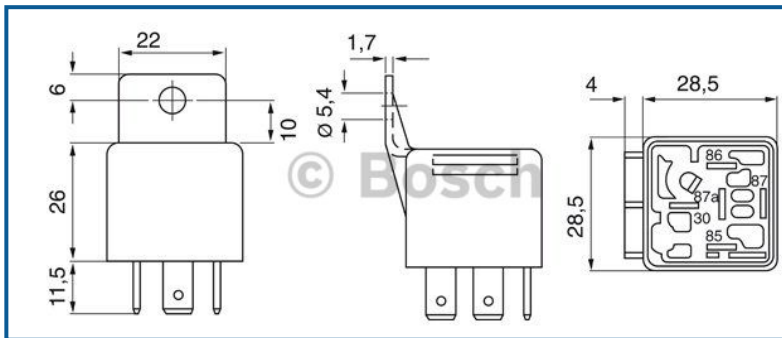
[Back to general overview](#)

Mini Relays 12 V, 30/20 A

0 332 209 138

| Change over | Normal close | Normal open |
|-------------|--------------|-------------|
| ✓ | | |

| Mounting bracket | Resistor | Diode | Life durability | Current | Voltage | Number of Pins | Housing type | Temperature range | Degree of protection housing | Degree of protection connection |
|------------------|----------|-------|-----------------|---------|---------|----------------|-----------------|-------------------|------------------------------|---------------------------------|
| ✓ | ✓ | X | 250.000 | 30/20 A | 12 V | 5 | Plastic housing | -40... +100°C | IP5K4 | IP20 |



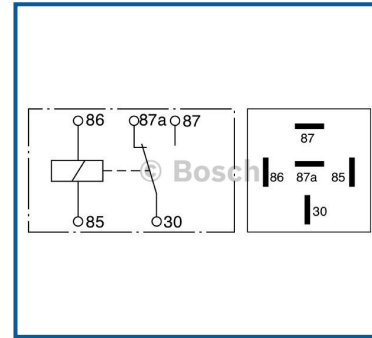
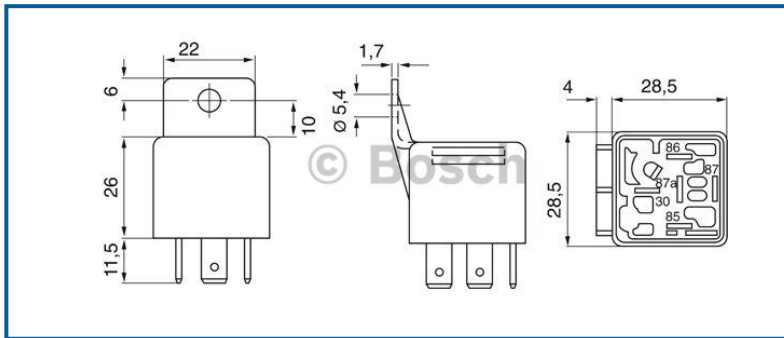
[Back to general overview](#)

Mini Relays 12 V, 30/20 A

0 332 209 150

| Change over | Normal close | Normal open |
|-------------|--------------|-------------|
| ✓ | | |

| Mounting bracket | Resistor | Diode | Life durability | Current | Voltage | Number of Pins | Housing type | Temperature range | Degree of protection housing | Degree of protection connection |
|------------------|----------|-------|-----------------|---------|---------|----------------|-----------------|-------------------|------------------------------|---------------------------------|
| ✓ | X | X | 250.000 | 30 A | 12 V | 5 | Plastic housing | -40... +100°C | IP5K4 | IP20 |



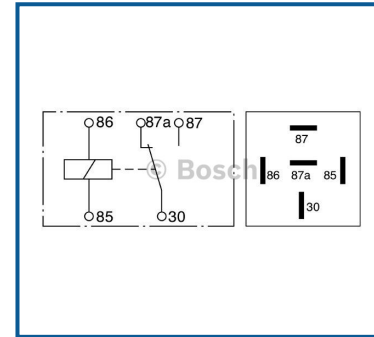
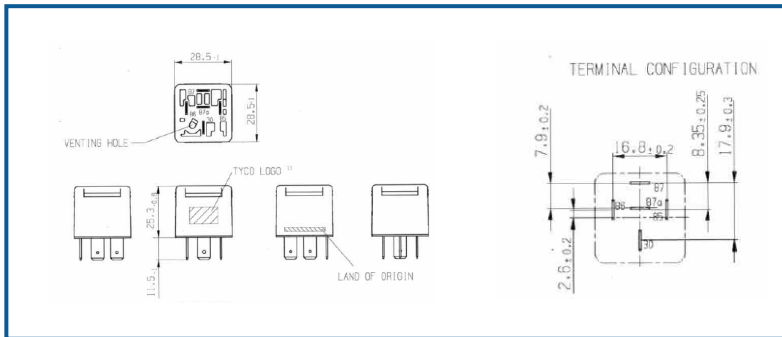
[Back to general overview](#)

Mini Relays 12 V, 30/20 A

0 332 209 151

| Change over | Normal close | Normal open |
|-------------|--------------|-------------|
| ✓ | | |

| Mounting bracket | Resistor | Diode | Life durability | Current | Voltage | Number of Pins | Housing type | Temperature range | Degree of protection housing | Degree of protection connection |
|------------------|----------|-------|-----------------|---------|---------|----------------|-----------------|-------------------|------------------------------|---------------------------------|
| X | X | X | 250.000 | 30/20 A | 12 V | 5 | Plastic housing | -40... +100°C | IP5K4 | IP20 |



[Back to general overview](#)

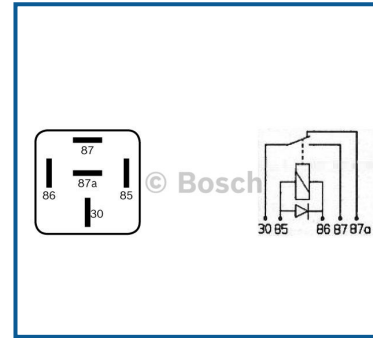
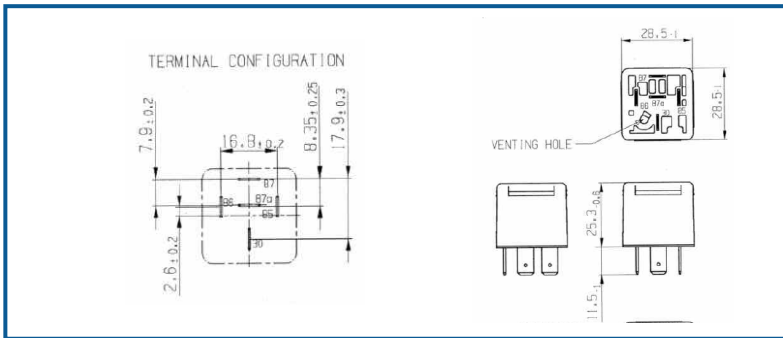
Mini Relays 12 V, 30/20 A

0 332 209 152

| Change over | Normal close | Normal open |
|-------------|--------------|-------------|
| ✓ | | |

replaced by 0 986 332 053

| Mounting bracket | Resistor | Diode | Life durability | Current | Voltage | Number of Pins | Housing type | Temperature range | Degree of protection housing | Degree of protection connection |
|------------------|----------|-------|-----------------|---------|---------|----------------|-----------------|-------------------|------------------------------|---------------------------------|
| X | X | ✓ | 250.000 | 30/20 A | 12 V | 5 | Plastic housing | -40... +100°C | IP5K4 | IP20 |



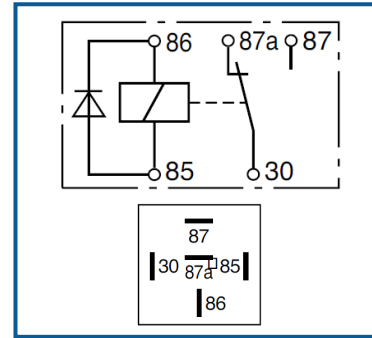
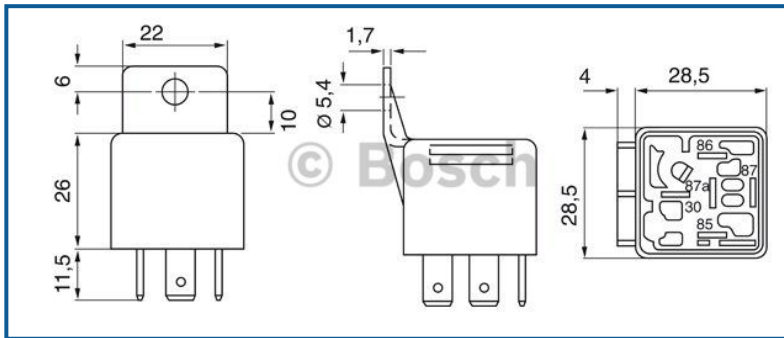
[Back to general overview](#)

Mini Relays 12V, 30A / 20A

0 332 209 158

| Change over | Normal close | Normal open |
|-------------|--------------|-------------|
| ✓ | | |

| Mounting bracket | Resistor | Diode | Life durability | Current | Voltage | Number of Pins | Housing type | Temperature range | Degree of protection housing | Degree of protection connection |
|------------------|----------|-------|-----------------|-----------|---------|----------------|-----------------|-------------------|------------------------------|---------------------------------|
| ✓ | X | ✓ | 250.000 | 30A / 20A | 12 V | 5 | Plastic housing | -40... +100°C | IP5K4 | IP20 |



[Back to general overview](#)

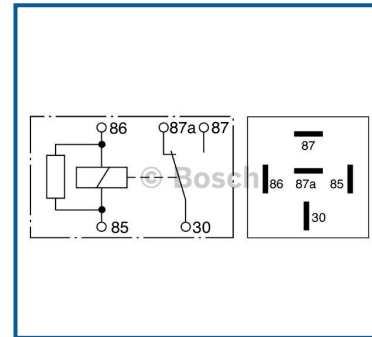
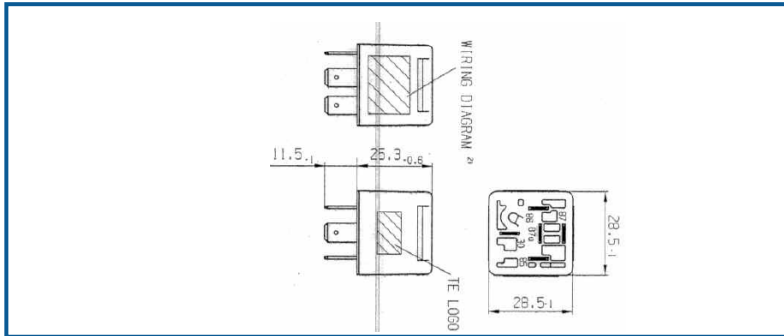
Mini Relays 12V, 30A / 20A

0 332 209 159

| Change over | Normal close | Normal open |
|-------------|--------------|-------------|
| ✓ | | |

replaced by 0 986 332 053

| Mounting bracket | Resistor | Diode | Life durability | Current | Voltage | Number of Pins | Housing type | Temperature range | Degree of protection housing | Degree of protection connection |
|------------------|----------|-------|-----------------|-----------|---------|----------------|-----------------|-------------------|------------------------------|---------------------------------|
| X | ✓ | X | 250.000 | 30A / 20A | 12 V | 5 | Plastic housing | -40... +100°C | IP5K4 | IP20 |



[Back to general overview](#)

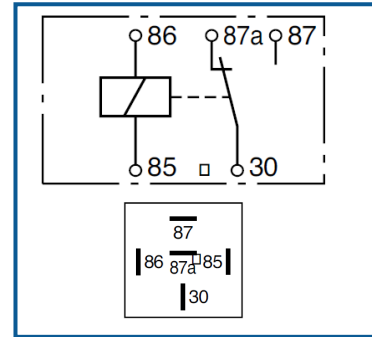
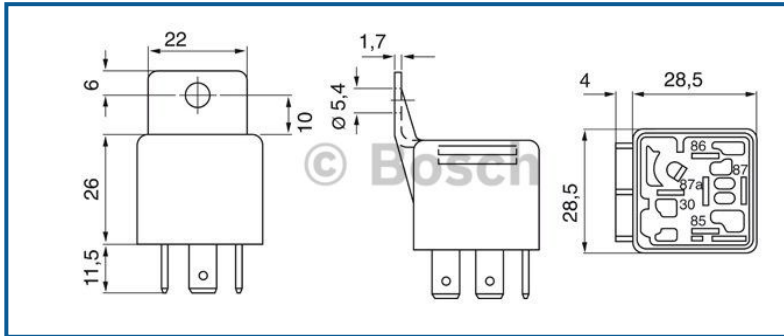
Mini Relays 24V, 20A / 10A

0 332 209 203

| Change over | Normal close | Normal open |
|-------------|--------------|-------------|
| ✓ | | |

replaced by 0 986 332 203

| Mounting bracket | Resistor | Diode | Life durability | Current | Voltage | Number of Pins | Housing type | Temperature range | Degree of protection housing | Degree of protection connection |
|------------------|----------|-------|-----------------|-----------|---------|----------------|-----------------|-------------------|------------------------------|---------------------------------|
| ✓ | X | X | 250.000 | 20A / 10A | 24 V | 5 | Plastic housing | -40... +100°C | IP5K4 | IP20 |



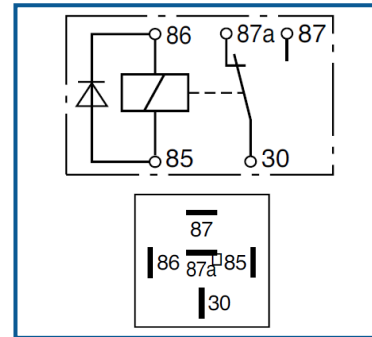
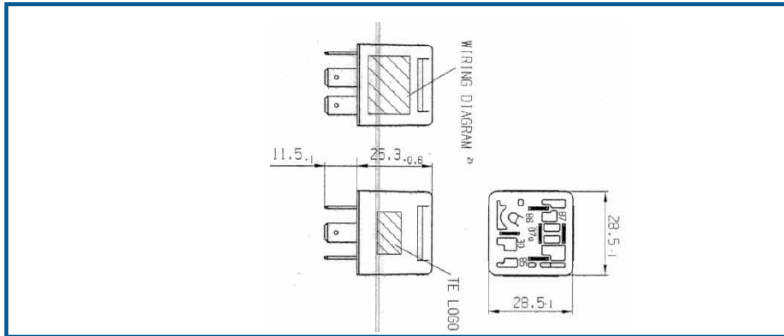
[Back to general overview](#)

Mini Relays 24V, 20A / 10A

0 332 209 204

| Change over | Normal close | Normal open |
|-------------|--------------|-------------|
| ✓ | | |

| Mounting bracket | Resistor | Diode | Life durability | Current | Voltage | Number of Pins | Housing type | Temperature range | Degree of protection housing | Degree of protection connection |
|------------------|----------|-------|-----------------|-----------|---------|----------------|-----------------|-------------------|------------------------------|---------------------------------|
| X | X | ✓ | 250.000 | 20A / 10A | 24 V | 5 | Plastic housing | -40... +100°C | IP5K4 | IP20 |



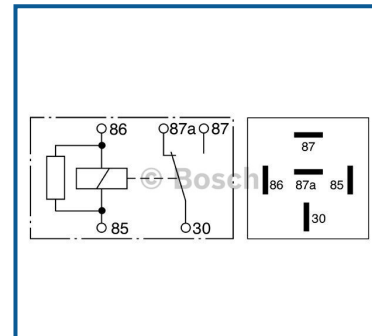
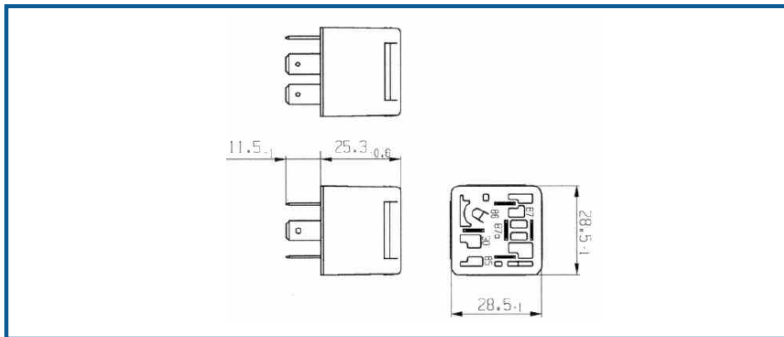
[Back to general overview](#)

Mini Relays 24V, 20A / 10A

0 332 209 206

| Change over | Normal close | Normal open |
|-------------|--------------|-------------|
| ✓ | | |

| Mounting bracket | Resistor | Diode | Life durability | Current | Voltage | Number of Pins | Housing type | Temperature range | Degree of protection housing | Degree of protection connection |
|------------------|----------|-------|-----------------|-----------|---------|----------------|-----------------|-------------------|------------------------------|---------------------------------|
| X | ✓ | X | 250.000 | 20A / 10A | 24 V | 4 | Plastic housing | -40... +100°C | IP5K4 | IP20 |



[Back to general overview](#)

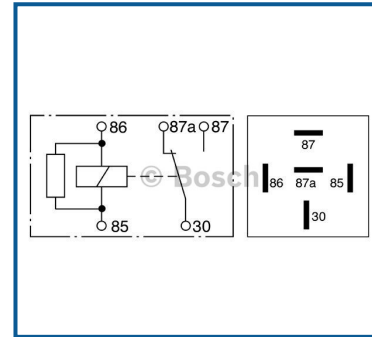
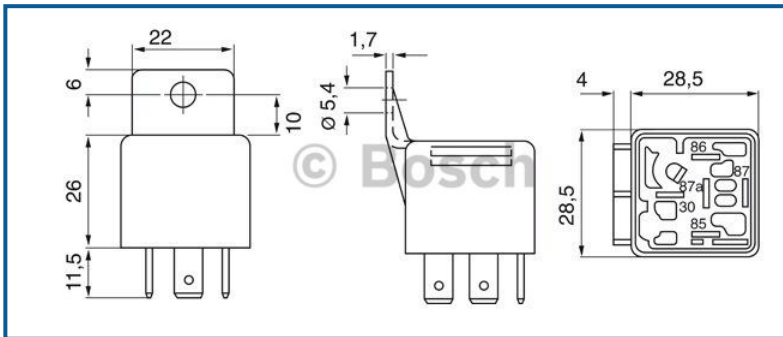
Mini Relays 24V, 20A / 10A

0 332 209 207

| Change over | Normal close | Normal open |
|-------------|--------------|-------------|
| ✓ | | |

replaced by 0 986 332 206

| Mounting bracket | Resistor | Diode | Life durability | Current | Voltage | Number of Pins | Housing type | Temperature range | Degree of protection housing | Degree of protection connection |
|------------------|----------|-------|-----------------|-----------|---------|----------------|-----------------|-------------------|------------------------------|---------------------------------|
| ✓ | ✓ | X | 250.000 | 20A / 10A | 24 V | 4 | Plastic housing | -40... +100°C | IP5K4 | IP20 |



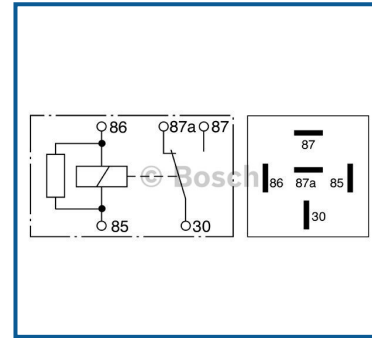
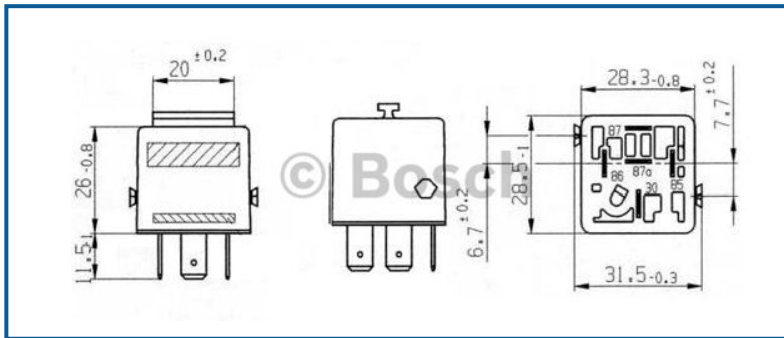
[Back to general overview](#)

Mini Relays 24V, 20A / 10A

0 332 209 211

| Change over | Normal close | Normal open |
|-------------|--------------|-------------|
| ✓ | | |

| Mounting bracket | Resistor | Diode | Life durability | Current | Voltage | Number of Pins | Housing type | Temperature range | Degree of protection housing | Degree of protection connection |
|------------------|----------|-------|-----------------|-----------|---------|----------------|-----------------|-------------------|------------------------------|---------------------------------|
| X | ✓ | X | 250.000 | 20A / 10A | 24 V | 5 | Plastic housing | -40... +100°C | IP5K4 | IP20 |



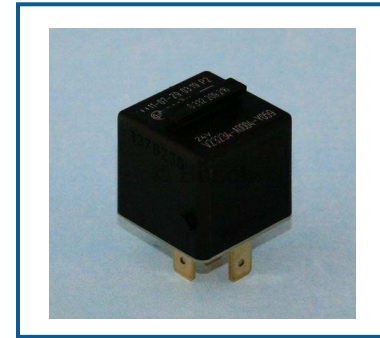
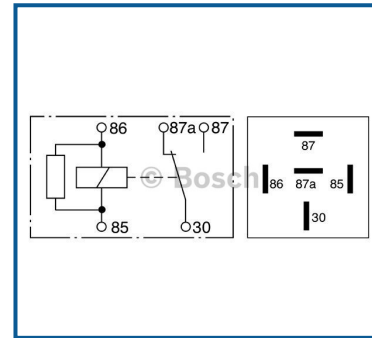
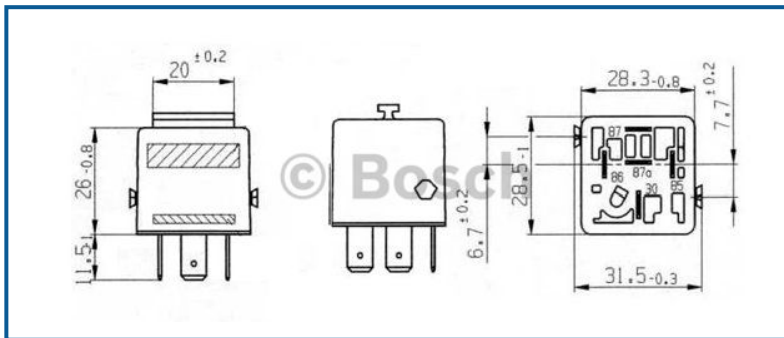
[Back to general overview](#)

Mini Relays 24V, 20 A

0 332 209 216

| Change over | Normal close | Normal open |
|-------------|--------------|-------------|
| ✓ | | |

| Mounting bracket | Resistor | Diode | Life durability | Current | Voltage | Number of Pins | Housing type | Temperature range | Degree of protection housing | Degree of protection connection |
|------------------|----------|-------|-----------------|---------|---------|----------------|-----------------|-------------------|------------------------------|---------------------------------|
| T-BAR | ✓ | X | 250.000 | 20 A | 24 V | 4 | Plastic housing | -40... +100°C | IP5K4 | IP20 |



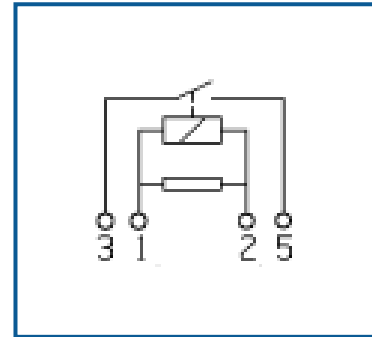
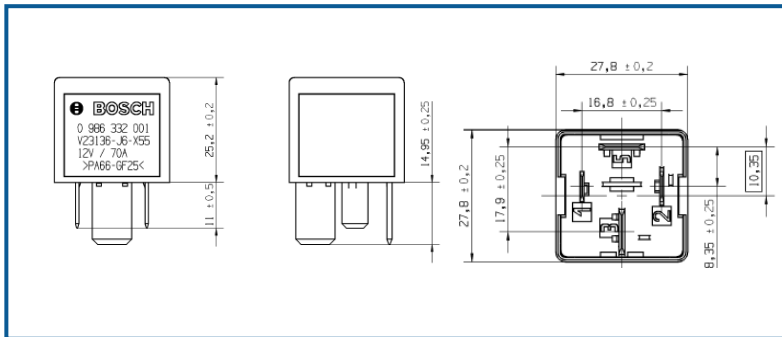
[Back to general overview](#)

Mini Relays 12 V, 70 A

0 986 332 001

| Change over | Normal close | Normal open |
|-------------|--------------|-------------|
| | | ✓ |

| Mounting bracket | Resistor | Diode | Life durability | Current | Voltage | Number of Pins | Housing type | Temperature range | Degree of protection housing | Degree of protection connection |
|------------------|----------|-------|-----------------|---------|---------|----------------|-----------------|-------------------|------------------------------|---------------------------------|
| X | ✓ | X | 250.000 | 70 A | 12 V | 4 | Plastic housing | -40°C ... + 85°C | IP5K4 | IP20 |



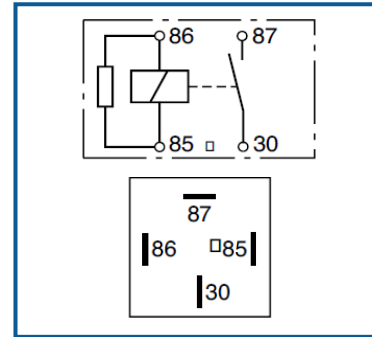
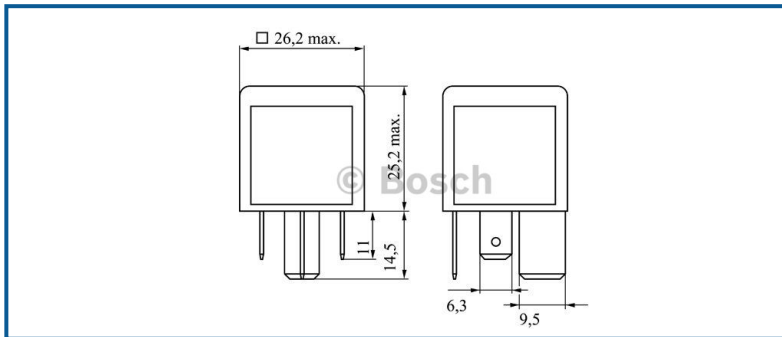
[Back to general overview](#)

Mini Relays 12 V, 70 A

0 986 332 002

| Change over | Normal close | Normal open |
|-------------|--------------|-------------|
| | | ✓ |

| Mounting bracket | Resistor | Diode | Life durability | Current | Voltage | Number of Pins | Housing type | Temperature range | Degree of protection housing | Degree of protection connection |
|------------------|----------|-------|-----------------|---------|---------|----------------|-----------------|-------------------|------------------------------|---------------------------------|
| X | ✓ | X | 100.000 | 70 A | 12 V | 4 | Plastic housing | -40... +100°C | IP5K4 | IP20 |



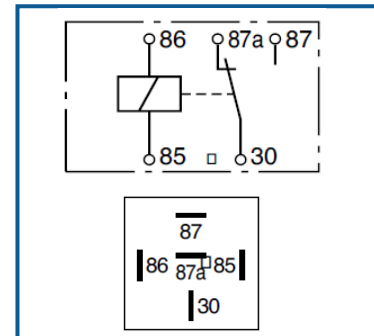
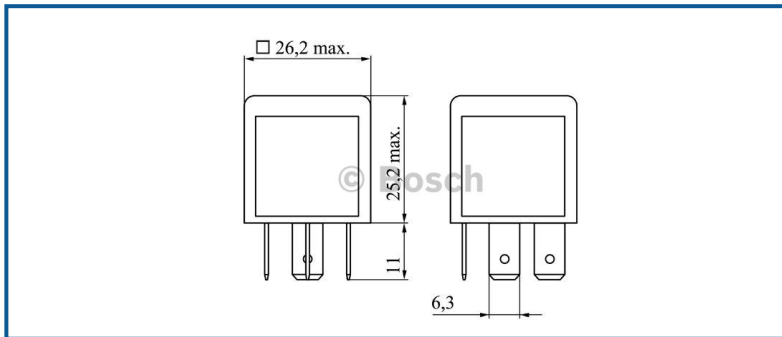
[Back to general overview](#)

Mini Relays 12 V, 40A / 60A

0 986 332 022

| Change over | Normal close | Normal open |
|-------------|--------------|-------------|
| ✓ | | |

| Mounting bracket | Resistor | Diode | Life durability | Current | Voltage | Number of Pins | Housing type | Temperature range | Degree of protection housing | Degree of protection connection |
|------------------|----------|-------|-----------------|-----------|---------|----------------|-----------------|-------------------|------------------------------|---------------------------------|
| X | X | X | 100.000 | 40A / 60A | 12 V | 5 | Plastic housing | -40... +100°C | IP5K4 | IP20 |



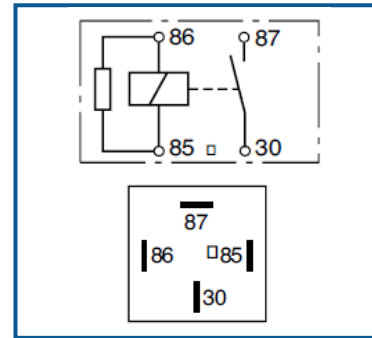
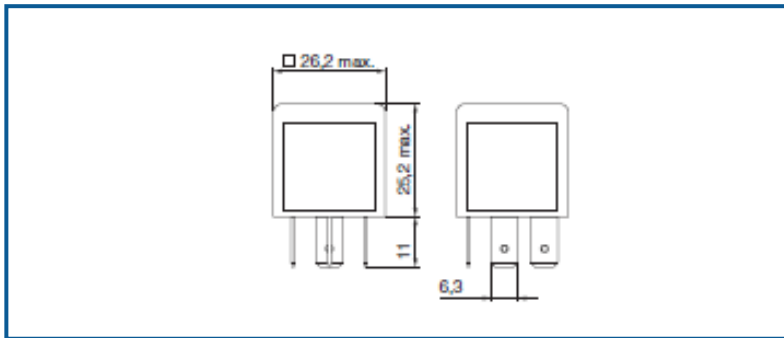
[Back to general overview](#)

Mini Relays 12 V, 60 A

0 986 332 030

| Change over | Normal close | Normal open |
|-------------|--------------|-------------|
| | | ✓ |

| Mounting bracket | Resistor | Diode | Life durability | Current | Voltage | Number of Pins | Housing type | Temperature range | Degree of protection housing | Degree of protection connection |
|------------------|----------|-------|-----------------|---------|---------|----------------|-----------------|-------------------|------------------------------|---------------------------------|
| X | ✓ | X | 100.000 | 60 A | 12 V | 4 | Plastic housing | -40... +100°C | IP5K4 | IP20 |



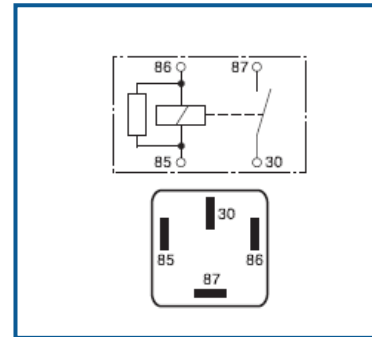
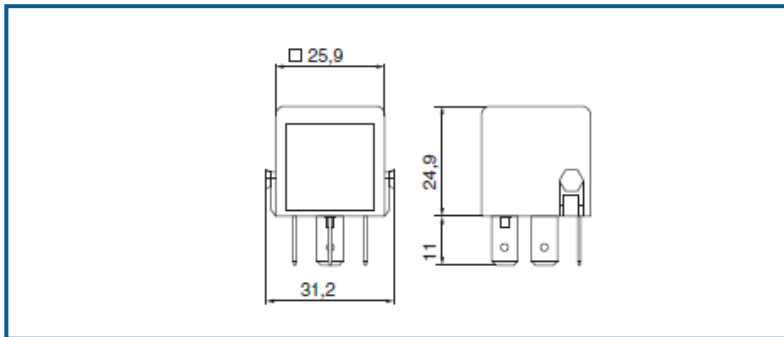
[Back to general overview](#)

Mini Relays 12 V, 40 A

0 986 332 040

| Change over | Normal close | Normal open |
|-------------|--------------|-------------|
| | | ✓ |

| Mounting bracket | Resistor | Diode | Life durability | Current | Voltage | Number of Pins | Housing type | Temperature range | Degree of protection housing | Degree of protection connection |
|------------------|----------|-------|-----------------|---------|---------|----------------|-----------------|-------------------|------------------------------|---------------------------------|
| X | ✓ | X | 100.000 | 40 A | 12 V | 4 | Plastic housing | -40... +100°C | IP5K4 | IP20 |



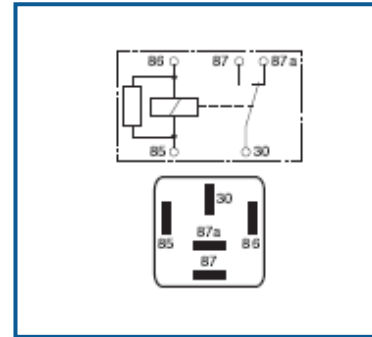
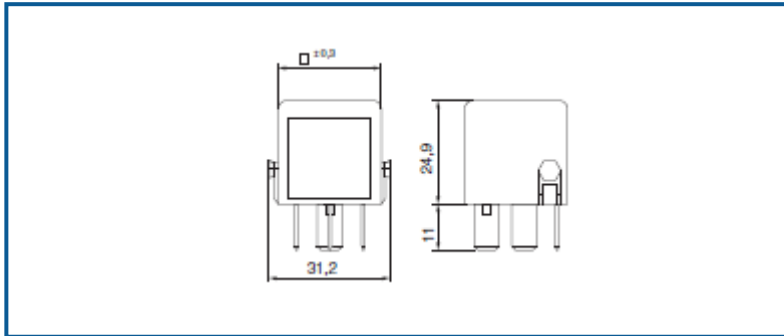
[Back to general overview](#)

Mini Relays 12 V, 40 A

0 986 332 041

| Change over | Normal close | Normal open |
|-------------|--------------|-------------|
| ✓ | | |

| Mounting bracket | Resistor | Diode | Life durability | Current | Voltage | Number of Pins | Housing type | Temperature range | Degree of protection housing | Degree of protection connection |
|------------------|----------|-------|-----------------|---------|---------|----------------|-----------------|-------------------|------------------------------|---------------------------------|
| X | ✓ | X | 100.000 | 40 A | 12 V | 5 | Plastic housing | -40... +100°C | IP5K4 | IP20 |



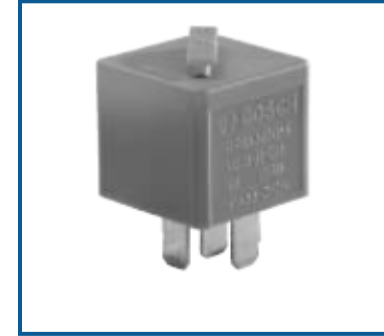
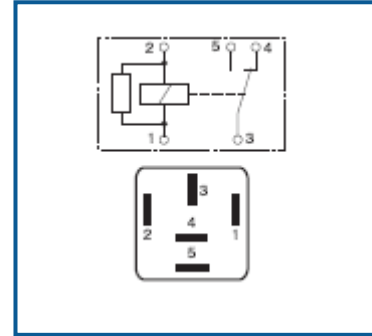
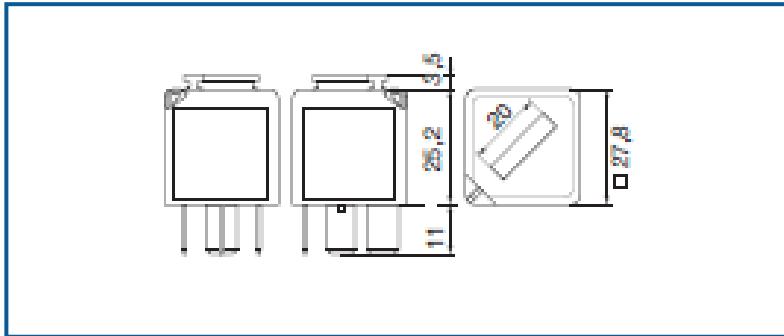
[Back to general overview](#)

Mini Relays 12 V, 40/60 A

0 986 332 053

| Change over | Normal close | Normal open |
|-------------|--------------|-------------|
| ✓ | | |

| Mounting bracket | Resistor | Diode | Life durability | Current | Voltage | Number of Pins | Housing type | Temperature range | Degree of protection housing | Degree of protection connection |
|------------------|----------|-------|-----------------|---------|---------|----------------|-----------------|-------------------|------------------------------|---------------------------------|
| X | ✓ | X | 100.000 | 40 A | 12 V | 5 | Plastic housing | -40... +100°C | IP5K4 | IP20 |



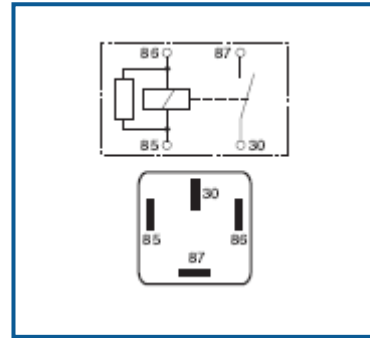
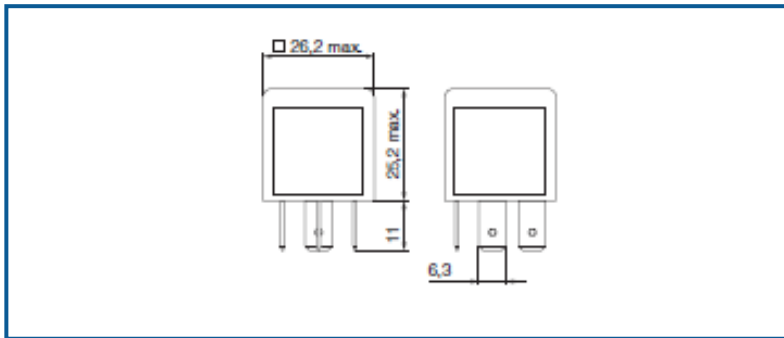
[Back to general overview](#)

Mini Relays 12 V, 40 A

0 986 332 071

| Change over | Normal close | Normal open |
|-------------|--------------|-------------|
| | | ✓ |

| Mounting bracket | Resistor | Diode | Life durability | Current | Voltage | Number of Pins | Housing type | Temperature range | Degree of protection housing | Degree of protection connection |
|------------------|----------|-------|-----------------|---------|---------|----------------|-----------------|-------------------|------------------------------|---------------------------------|
| X | ✓ | X | 100.000 | 40 A | 12 V | 4 | Plastic housing | -40... +100°C | IP5K4 | IP20 |



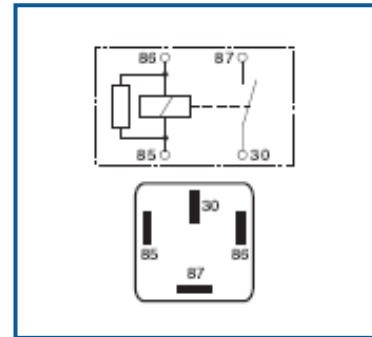
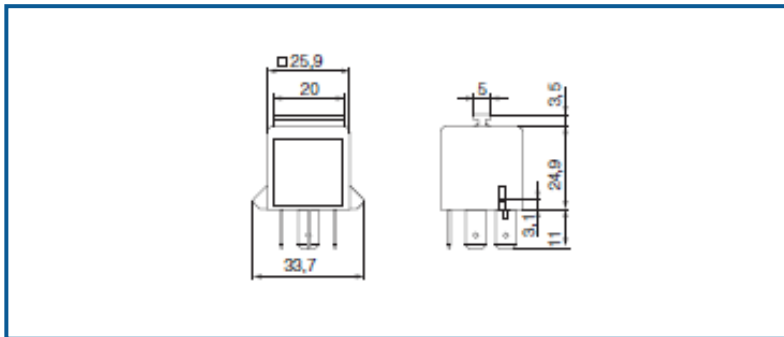
[Back to general overview](#)

Mini Relays 12 V, 40 A

0 986 332 072

| Change over | Normal close | Normal open |
|-------------|--------------|-------------|
| | | ✓ |

| Mounting bracket | Resistor | Diode | Life durability | Current | Voltage | Number of Pins | Housing type | Temperature range | Degree of protection housing | Degree of protection connection |
|------------------|----------|-------|-----------------|---------|---------|----------------|-----------------|-------------------|------------------------------|---------------------------------|
| X | ✓ | X | 100.000 | 40 A | 12 V | 4 | Plastic housing | -40... +100°C | IP5K4 | IP20 |



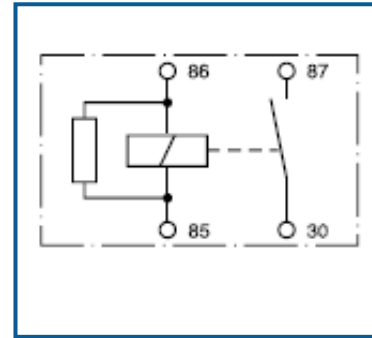
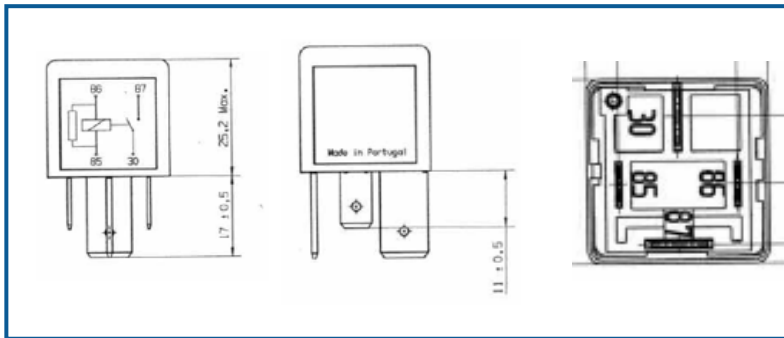
[Back to general overview](#)

Mini Relays 24 V, 50 A

0 986 332 080

| Change over | Normal close | Normal open |
|-------------|--------------|-------------|
| | | ✓ |

| Mounting bracket | Resistor | Diode | Life durability | Current | Voltage | Number of Pins | Housing type | Temperature range | Degree of protection housing | Degree of protection connection |
|------------------|----------|-------|-----------------|---------|---------|----------------|-----------------|-------------------|------------------------------|---------------------------------|
| X | ✓ | X | 200.000 | 50 A | 24 V | 4 | Plastic housing | -40...+100°C | IP5K4 | IP20 |



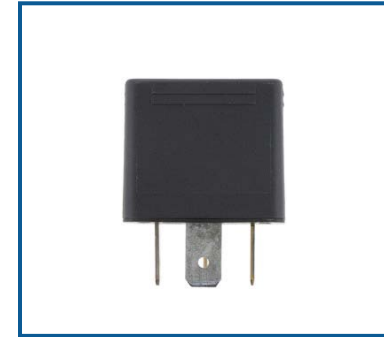
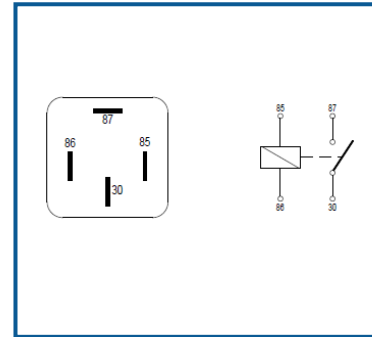
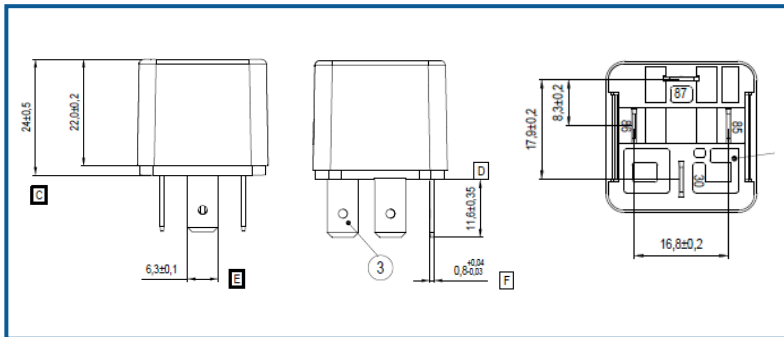
[Back to general overview](#)

Mini Relays 24 V, 20 A

0 986 332 201

| Change over | Normal close | Normal open |
|-------------|--------------|-------------|
| | | ✓ |

| Mounting bracket | Resistor | Diode | Life durability | Current | Voltage | Number of Pins | Housing type | Temperature range | Degree of protection housing | Degree of protection connection |
|------------------|----------|-------|-----------------|---------|---------|----------------|-----------------|-------------------|------------------------------|---------------------------------|
| X | X | X | 100.000 | 20 A | 24 V | 4 | Plastic housing | -40... +100°C | IP5K4 | IP20 |



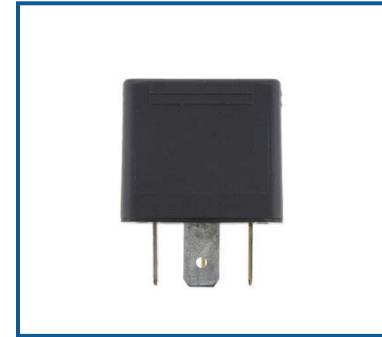
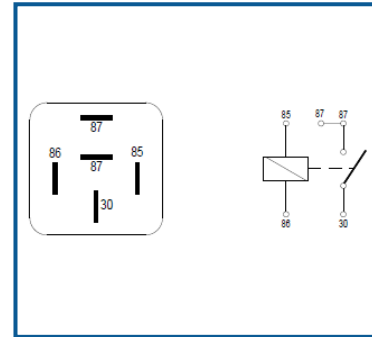
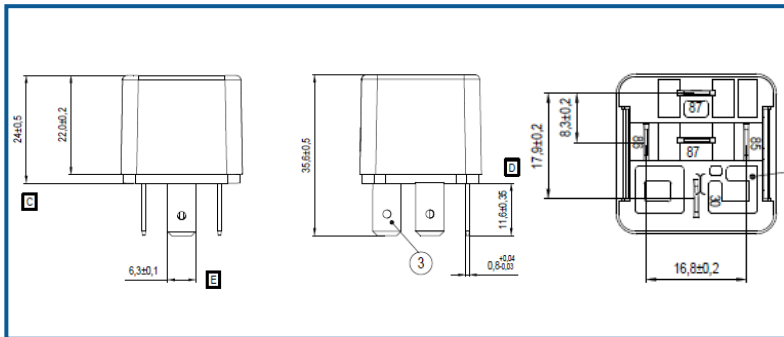
[Back to general overview](#)

Mini Relays 24 V, 20 A

0 986 332 202

| Change over | Normal close | Normal open |
|-------------|--------------|-------------|
| | | ✓ |

| Mounting bracket | Resistor | Diode | Life durability | Current | Voltage | Number of Pins | Housing type | Temperature range | Degree of protection housing | Degree of protection connection |
|------------------|----------|-------|-----------------|---------|---------|----------------|-----------------|-------------------|------------------------------|---------------------------------|
| X | X | X | 100.000 | 20 A | 24 V | 5 | Plastic housing | -40...+100°C | IP5K4 | IP20 |



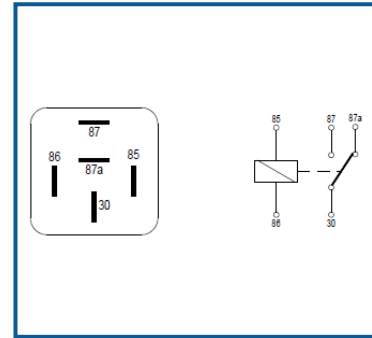
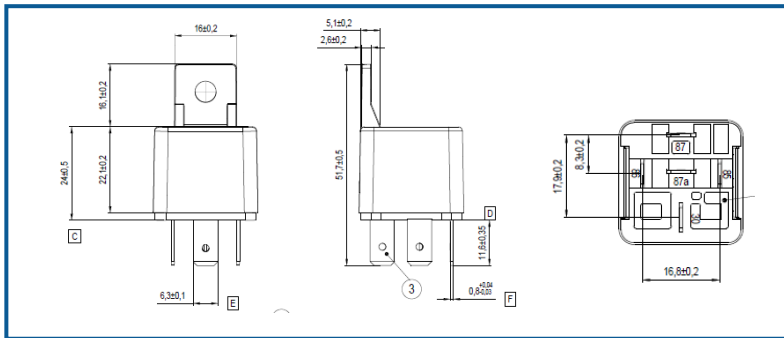
[Back to general overview](#)

Mini Relays 24 V, 20/10 A

0 986 332 203

| Change over | Normal close | Normal open |
|-------------|--------------|-------------|
| ✓ | | |

| Mounting bracket | Resistor | Diode | Life durability | Current | Voltage | Number of Pins | Housing type | Temperature range | Degree of protection housing | Degree of protection connection |
|------------------|----------|-------|-----------------|---------|---------|----------------|-----------------|-------------------|------------------------------|---------------------------------|
| ✓ | X | X | 100.000 | 20/10 A | 24 V | 5 | Plastic housing | -40... +100°C | IP5K4 | IP20 |



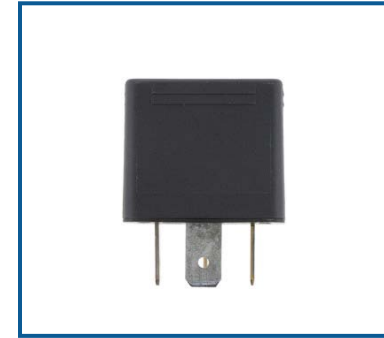
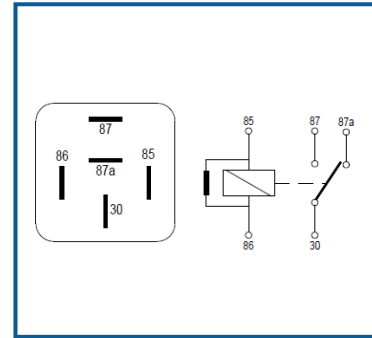
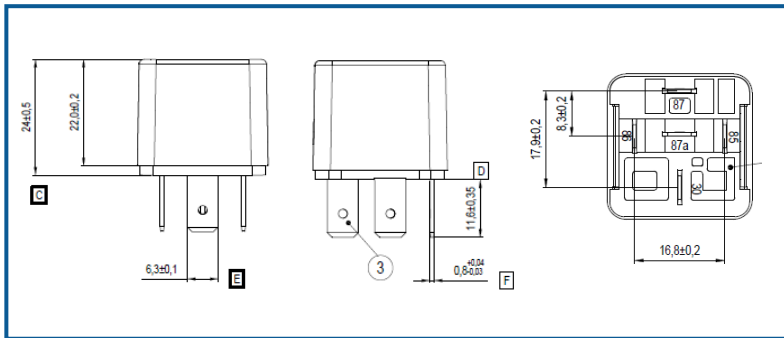
[Back to general overview](#)

Mini Relays 24 V, 20 A

0 986 332 205

| Change over | Normal close | Normal open |
|-------------|--------------|-------------|
| ✓ | | |

| Mounting bracket | Resistor | Diode | Life durability | Current | Voltage | Number of Pins | Housing type | Temperature range | Degree of protection housing | Degree of protection connection |
|------------------|----------|-------|-----------------|---------|---------|----------------|-----------------|-------------------|------------------------------|---------------------------------|
| X | ✓ | X | 100.000 | 20 A | 24 V | 5 | Plastic housing | -40... +100°C | IP5K4 | IP20 |



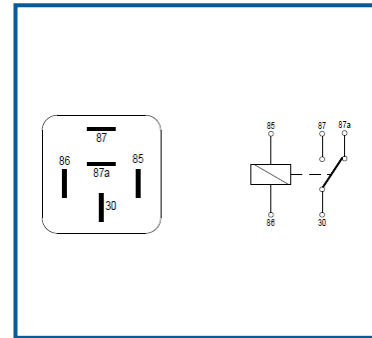
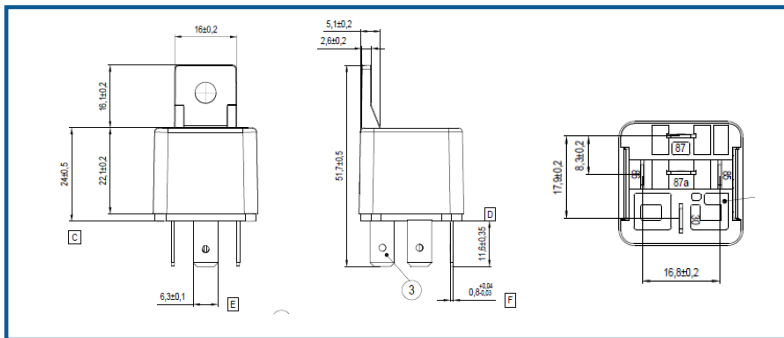
[Back to general overview](#)

Mini Relays 24 V, 20 A

0 986 332 206

| Change over | Normal close | Normal open |
|-------------|--------------|-------------|
| ✓ | | |

| Mounting bracket | Resistor | Diode | Life durability | Current | Voltage | Number of Pins | Housing type | Temperature range | Degree of protection housing | Degree of protection connection |
|------------------|----------|-------|-----------------|---------|---------|----------------|-----------------|-------------------|------------------------------|---------------------------------|
| ✓ | ✓ | X | 100.000 | 20 A | 24 V | 5 | Plastic housing | -40... +100°C | IP5K4 | IP20 |



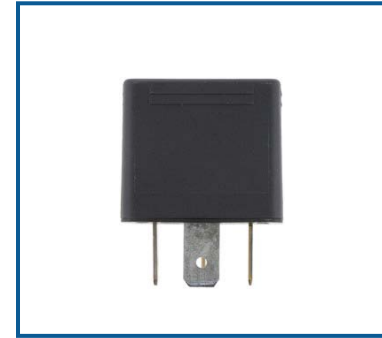
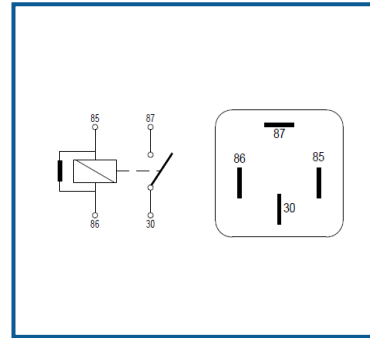
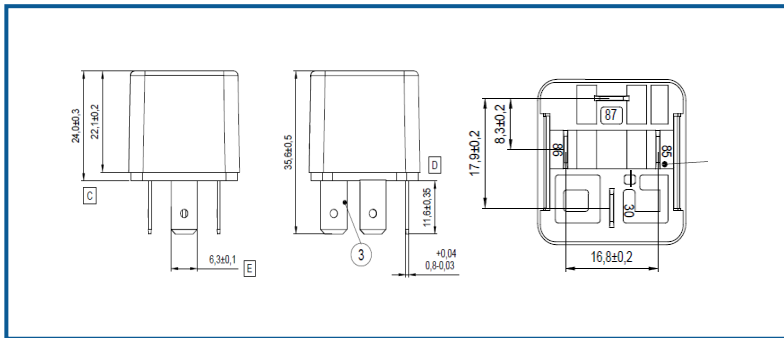
[Back to general overview](#)

Mini Relays 12 V, 30 A

0 986 332 209

| Change over | Normal close | Normal open |
|-------------|--------------|-------------|
| | | ✓ |

| Mounting bracket | Resistor | Diode | Life durability | Current | Voltage | Number of Pins | Housing type | Temperature range | Degree of protection housing | Degree of protection connection |
|------------------|----------|-------|-----------------|---------|---------|----------------|-----------------|-------------------|------------------------------|---------------------------------|
| X | ✓ | X | 100.000 | 30 A | 12 V | 4 | Plastic housing | -40... +100°C | IP5K4 | IP20 |



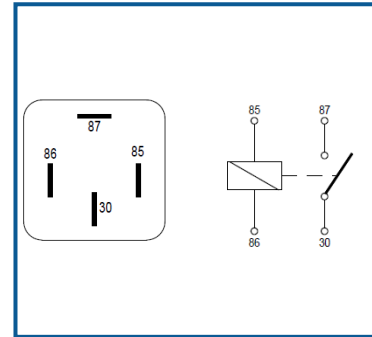
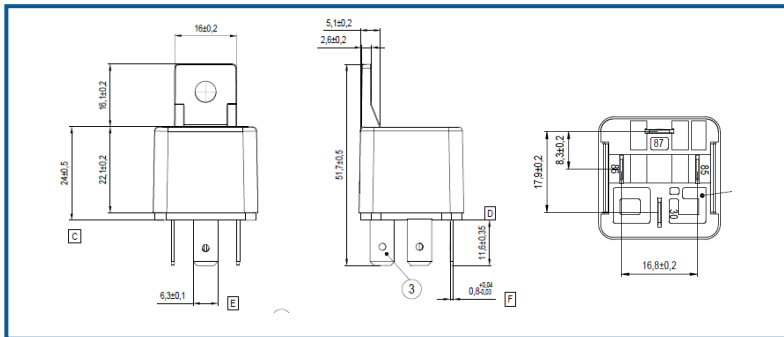
[Back to general overview](#)

Mini Relays 12 V, 30 A

0 986 332 210

| Change over | Normal close | Normal open |
|-------------|--------------|-------------|
| | | ✓ |

| Mounting bracket | Resistor | Diode | Life durability | Current | Voltage | Number of Pins | Housing type | Temperature range | Degree of protection housing | Degree of protection connection |
|------------------|----------|-------|-----------------|---------|---------|----------------|-----------------|-------------------|------------------------------|---------------------------------|
| ✓ | ✗ | ✗ | 100.000 | 30 A | 12 V | 4 | Plastic housing | -40...+100°C | IP5K4 | IP20 |



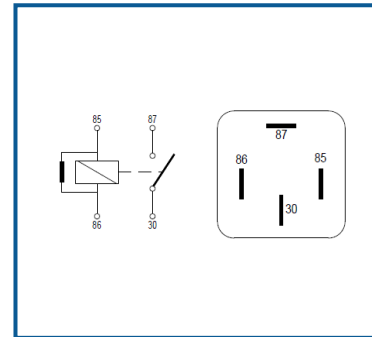
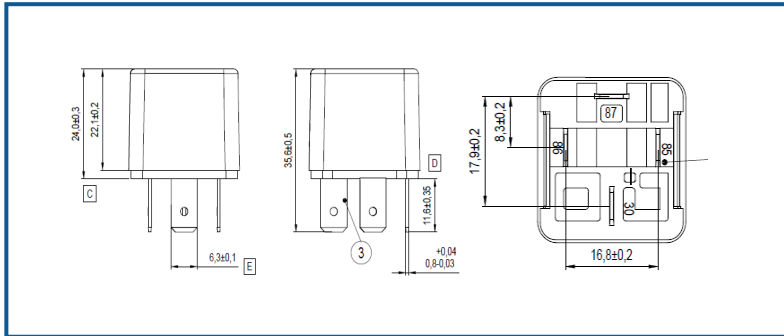
[Back to general overview](#)

Mini Relays 12 V, 30 A

0 986 332 211

| Change over | Normal close | Normal open |
|-------------|--------------|-------------|
| | | ✓ |

| Mounting bracket | Resistor | Diode | Life durability | Current | Voltage | Number of Pins | Housing type | Temperature range | Degree of protection housing | Degree of protection connection |
|------------------|----------|-------|-----------------|---------|---------|----------------|-----------------|-------------------|------------------------------|---------------------------------|
| X | ✓ | X | 100.000 | 30 A | 12 V | 4 | Plastic housing | -40... +100°C | IP5K4 | IP20 |



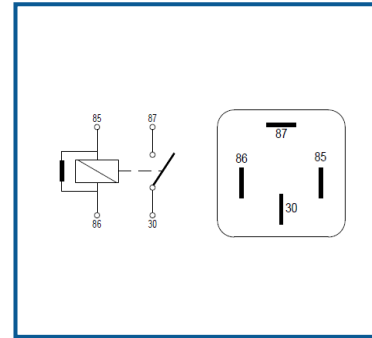
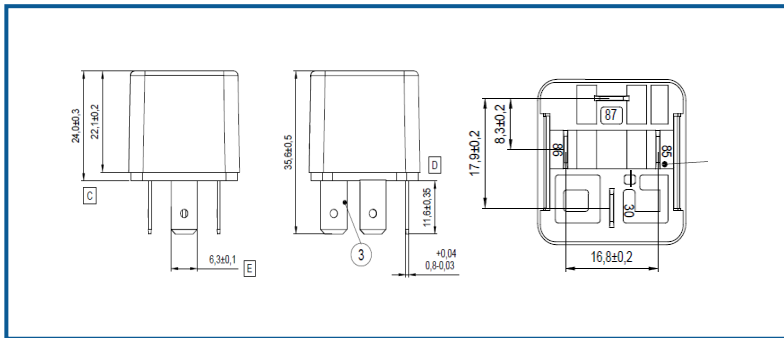
[Back to general overview](#)

Mini Relays 12 V, 30 A

0 986 332 212

| Change over | Normal close | Normal open |
|-------------|--------------|-------------|
| | | ✓ |

| Mounting bracket | Resistor | Diode | Life durability | Current | Voltage | Number of Pins | Housing type | Temperature range | Degree of protection housing | Degree of protection connection |
|------------------|----------|-------|-----------------|---------|---------|----------------|-----------------|-------------------|------------------------------|---------------------------------|
| X | ✓ | X | 100.000 | 30 A | 12 V | 4 | Plastic housing | -40... +100°C | IP5K4 | IP20 |



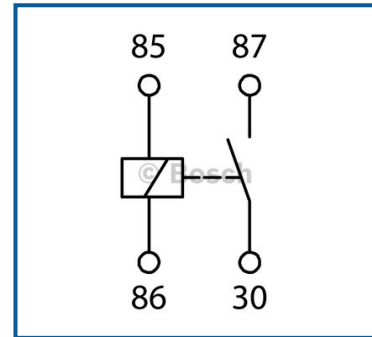
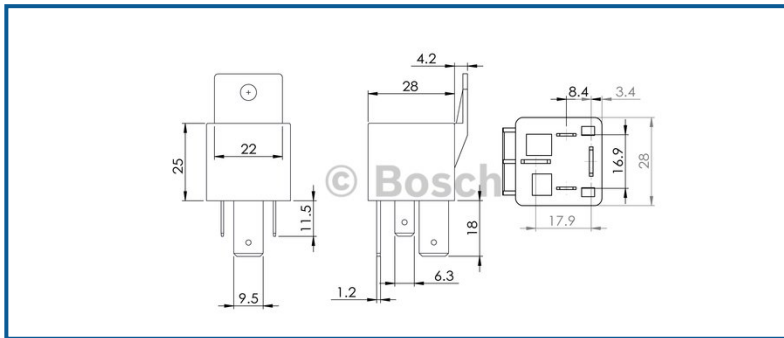
[Back to general overview](#)

Mini Relays 12 V, 70 A

0 986 AH0 080

| Change over | Normal close | Normal open |
|-------------|--------------|-------------|
| | | ✓ |

| Mounting bracket | Resistor | Diode | Life durability | Current | Voltage | Number of Pins | Housing type | Temperature range | Degree of protection housing | Degree of protection connection |
|------------------|----------|-------|-----------------|---------|---------|----------------|-----------------|-------------------|------------------------------|---------------------------------|
| ✓ | ✗ | ✗ | 100.000 | 70 A | 12 V | 4 | Plastic housing | -40... +100°C | IP5K4 | IP20 |



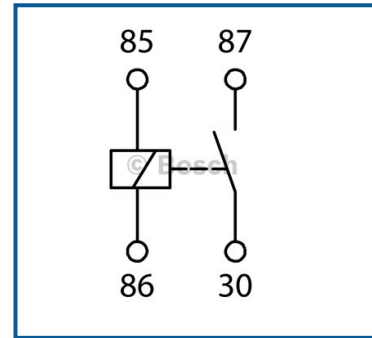
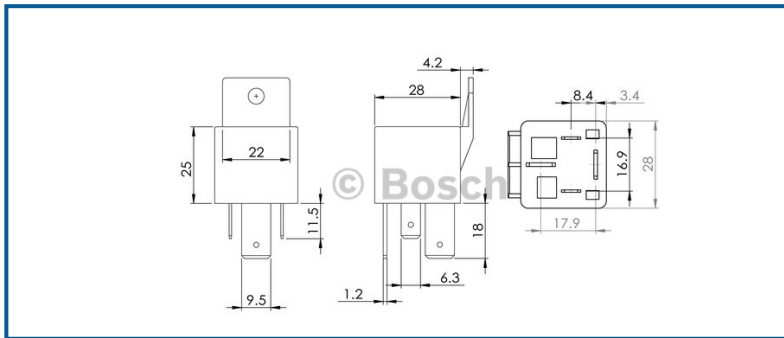
[Back to general overview](#)

Mini Relays 24 V, 30 A

0 986 AH0 081

| Change over | Normal close | Normal open |
|-------------|--------------|-------------|
| | | ✓ |

| Mounting bracket | Resistor | Diode | Life durability | Current | Voltage | Number of Pins | Housing type | Temperature range | Degree of protection housing | Degree of protection connection |
|------------------|----------|-------|-----------------|---------|---------|----------------|-----------------|-------------------|------------------------------|---------------------------------|
| ✓ | ✗ | ✗ | 100.000 | 30 A | 24 V | 4 | Plastic housing | -40... +100°C | IP5K4 | IP20 |



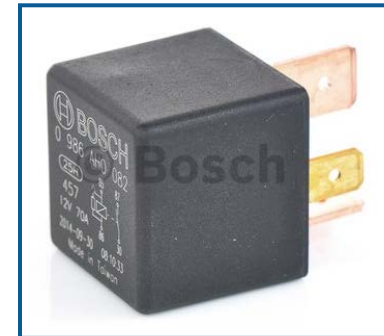
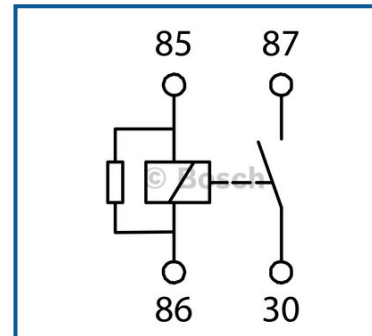
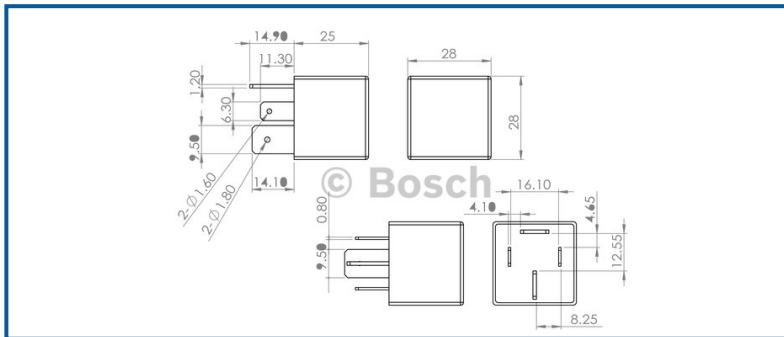
[Back to general overview](#)

Mini Relays 12 V, 70 A

0 986 AH0 082

| Change over | Normal close | Normal open |
|-------------|--------------|-------------|
| | | ✓ |

| Mounting bracket | Resistor | Diode | Life durability | Current | Voltage | Number of Pins | Housing type | Temperature range | Degree of protection housing | Degree of protection connection |
|------------------|----------|-------|-----------------|---------|---------|----------------|-----------------|-------------------|------------------------------|---------------------------------|
| X | ✓ | X | 100.000 | 70 A | 12 V | 4 | Plastic housing | -40... +100°C | IP5K4 | IP20 |



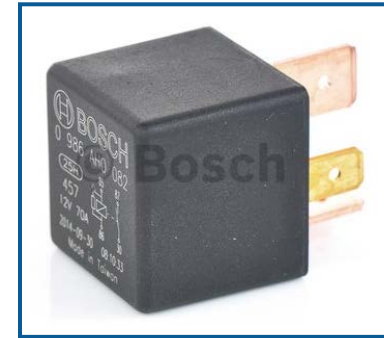
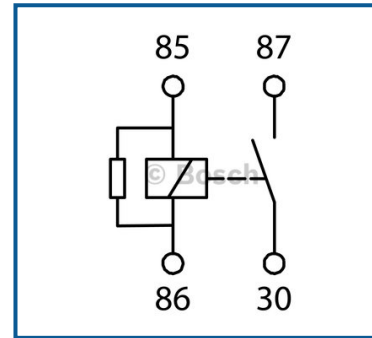
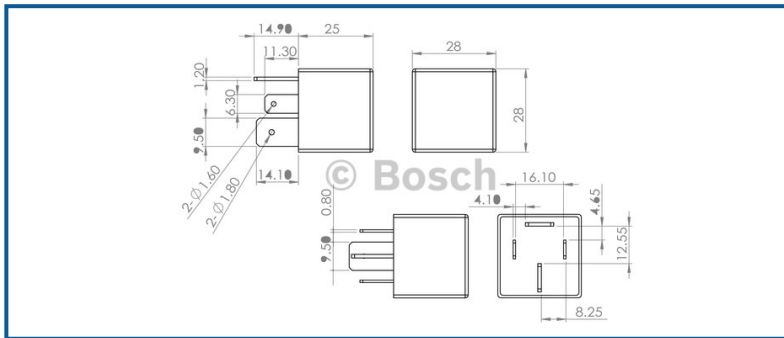
[Back to general overview](#)

Mini Relays 24 V, 30 A

0 986 AH0 083

| Change over | Normal close | Normal open |
|-------------|--------------|-------------|
| | | ✓ |

| Mounting bracket | Resistor | Diode | Life durability | Current | Voltage | Number of Pins | Housing type | Temperature range | Degree of protection housing | Degree of protection connection |
|------------------|----------|-------|-----------------|---------|---------|----------------|-----------------|-------------------|------------------------------|---------------------------------|
| X | ✓ | X | 100.000 | 30 A | 24 V | 4 | Plastic housing | -40... +100°C | IP5K4 | IP20 |



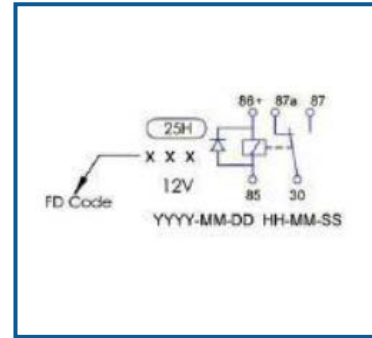
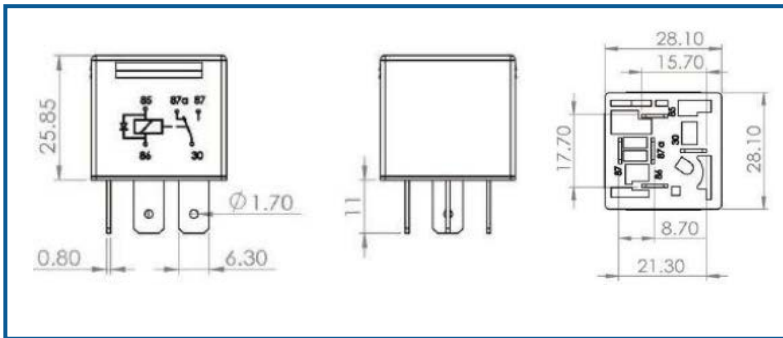
[Back to general overview](#)

Mini Relays 12 V, 20 / 30 A

0 986 AH0 135

| Change over | Normal close | Normal open |
|-------------|--------------|-------------|
| ✓ | | |

| Mounting bracket | Resistor | Diode | Life durability | Current | Voltage | Number of Pins | Housing type | Temperature range | Degree of protection housing | Degree of protection connection |
|------------------|----------|-------|-----------------|---------|---------|----------------|-----------------|-------------------|------------------------------|---------------------------------|
| X | X | ✓ | 50.000 | 50 A | 12 V | 5 | Plastic housing | -40... +100°C | IP5K4 | IP20 |



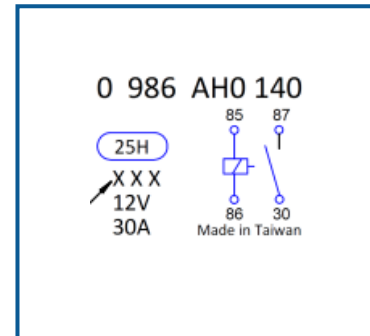
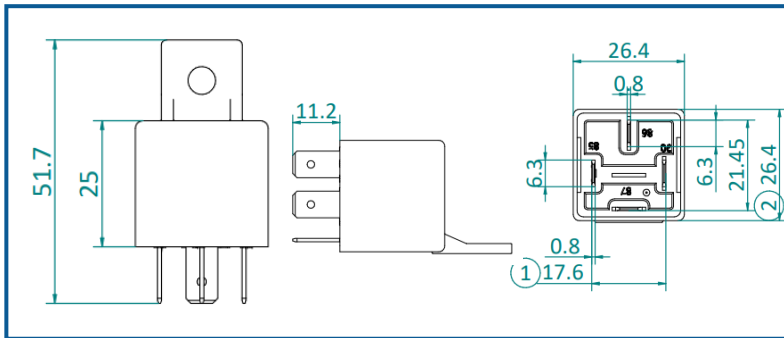
[Back to general overview](#)

Mini Relays 12 V, 30 A

0 986 AH0 140

| Change over | Normal close | Normal open |
|-------------|--------------|-------------|
| | | ✓ |

| Mounting bracket | Resistor | Diode | Life durability | Current | Voltage | Number of Pins | Housing type | Temperature range | Degree of protection housing | Degree of protection connection |
|------------------|----------|-------|-----------------|---------|---------|----------------|-----------------|-------------------|------------------------------|---------------------------------|
| X | X | X | 100.000 | 30 A | 12 V | 4 | Plastic housing | -40... +°C | IP5K4 | IP20 |



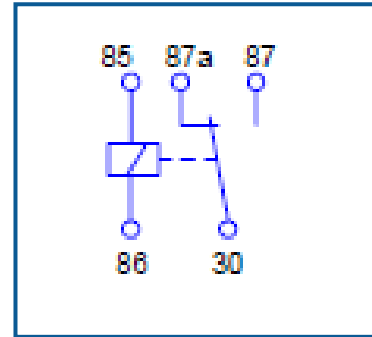
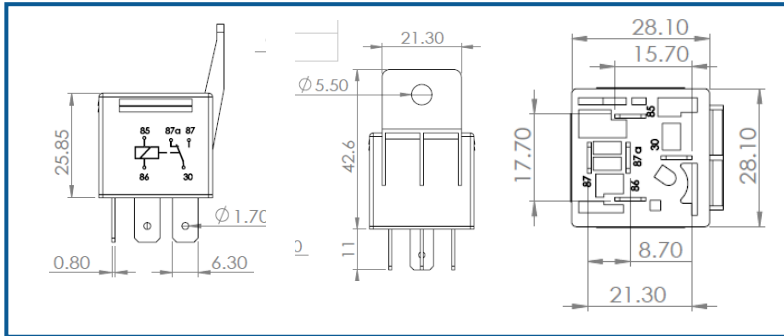
[Back to general overview](#)

Mini Relays 12 V, 30 A

0 986 AH0 150

| Change over | Normal close | Normal open |
|-------------|--------------|-------------|
| ✓ | | |

| Mounting bracket | Resistor | Diode | Life durability | Current | Voltage | Number of Pins | Housing type | Temperature range | Degree of protection housing | Degree of protection connection |
|------------------|----------|-------|-----------------|---------|---------|----------------|-----------------|-------------------|------------------------------|---------------------------------|
| ✓ | X | X | 100.000 | 30 A | 12 V | 5 | Plastic housing | -40... +100°C | IP5K4 | IP20 |



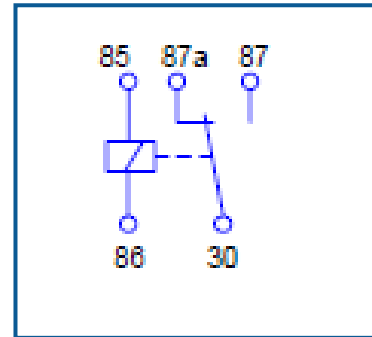
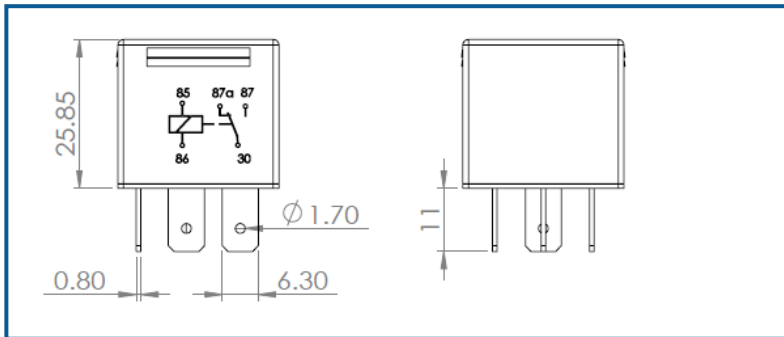
[Back to general overview](#)

Mini Relays 12 V, 30 A

0 986 AH0 151

| Change over | Normal close | Normal open |
|-------------|--------------|-------------|
| ✓ | | |

| Mounting bracket | Resistor | Diode | Life durability | Current | Voltage | Number of Pins | Housing type | Temperature range | Degree of protection housing | Degree of protection connection |
|------------------|----------|-------|-----------------|---------|---------|----------------|-----------------|-------------------|------------------------------|---------------------------------|
| X | X | X | 100.000 | 30 A | 12 V | 5 | Plastic housing | -40... +100°C | IP5K4 | IP20 |



[Back to general overview](#)

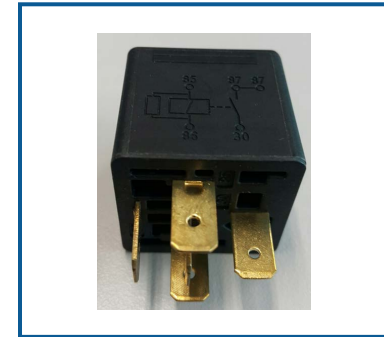
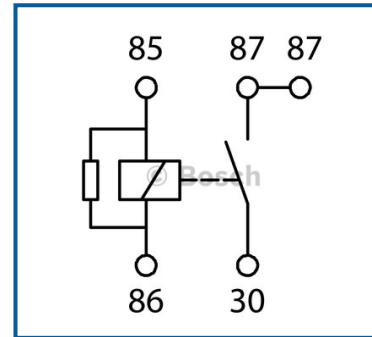
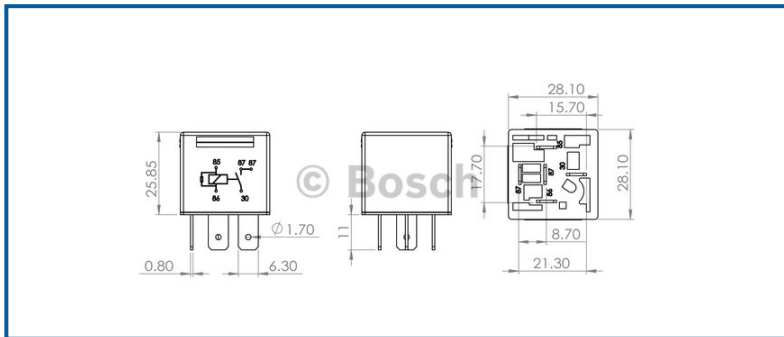
Mini Relays 24 V, 20 A

0 986 AH0 204

| Change over | Normal close | Normal open |
|-------------|--------------|-------------|
| | | ✓ |

2 x 87 terminal

| Mounting bracket | Resistor | Diode | Life durability | Current | Voltage | Number of Pins | Housing type | Temperature range | Degree of protection housing | Degree of protection connection |
|------------------|----------|-------|-----------------|---------|---------|----------------|-----------------|-------------------|------------------------------|---------------------------------|
| X | ✓ | X | 100.000 | 20 A | 24 V | 4 | Plastic housing | -40... +100°C | IP5K4 | IP20 |



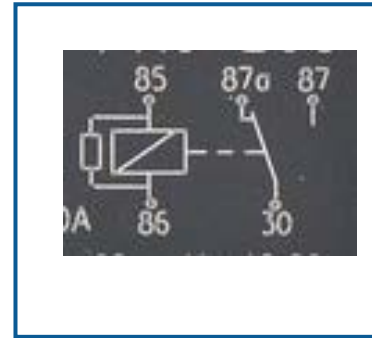
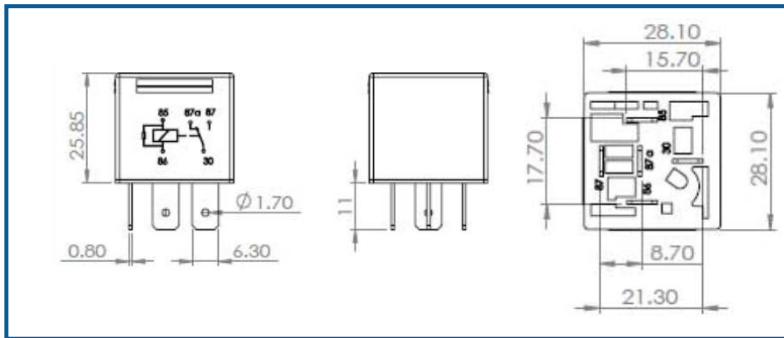
[Back to general overview](#)

Mini Relays 24 V, 20 A

0 986 AH0 206

| Change over | Normal close | Normal open |
|-------------|--------------|-------------|
| ✓ | | |

| Mounting bracket | Resistor | Diode | Life durability | Current | Voltage | Number of Pins | Housing type | Temperature range | Degree of protection housing | Degree of protection connection |
|------------------|----------|-------|-----------------|---------|---------|----------------|-----------------|-------------------|------------------------------|---------------------------------|
| X | ✓ | X | 100.000 | 20 A | 24 V | 5 | Plastic housing | -40... +100°C | IP5K4 | IP20 |



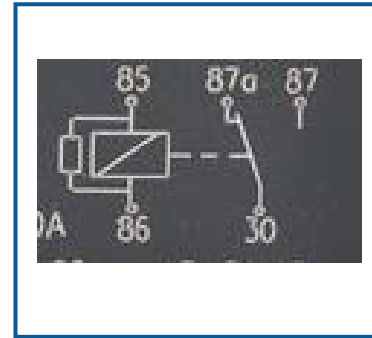
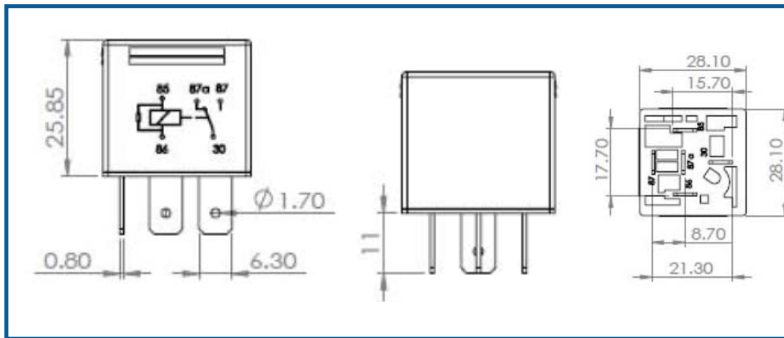
[Back to general overview](#)

Mini Relays 12 V, 20 A

0 986 AH0 237

| Change over | Normal close | Normal Open |
|-------------|--------------|-------------|
| ✓ | | |

| Mounting bracket | Resistor | Diode | Life durability | Current | Voltage | Number of Pins | Housing type | Temperature range | Degree of protection housing | Degree of protection connection |
|------------------|----------|-------|-----------------|---------|---------|----------------|-----------------|-------------------|------------------------------|---------------------------------|
| X | ✓ | X | 75.000 | 20 A | 12 V | 5 | Plastic housing | -40... +100°C | IP5K4 | IP20 |



[Back to general overview](#)

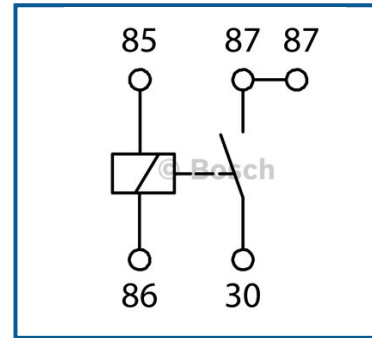
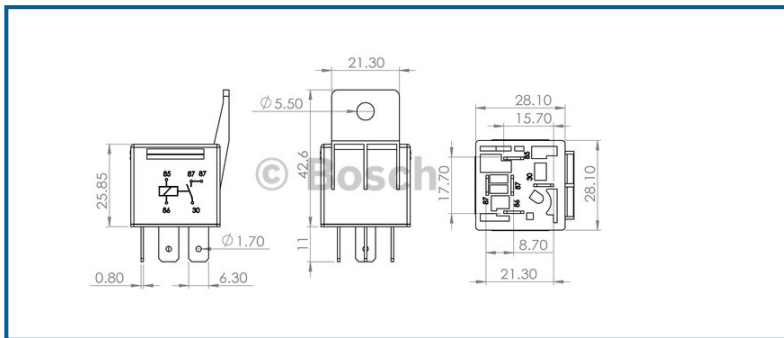
Mini Relays 12 V, 30 A

0 986 AH0 250

| Change over | Normal close | Normal open |
|-------------|--------------|-------------|
| | | ✓ |

2 x 87 terminal

| Mounting bracket | Resistor | Diode | Life durability | Current | Voltage | Number of Pins | Housing type | Temperature range | Degree of protection housing | Degree of protection connection |
|------------------|----------|-------|-----------------|---------|---------|----------------|-----------------|-------------------|------------------------------|---------------------------------|
| ✓ | X | X | 100.000 | 30 A | 12 V | 5 | Plastic housing | -40... +100°C | IP5K4 | IP20 |



[Back to general overview](#)

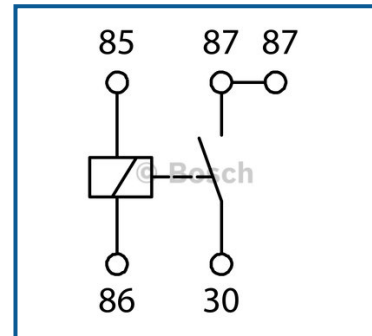
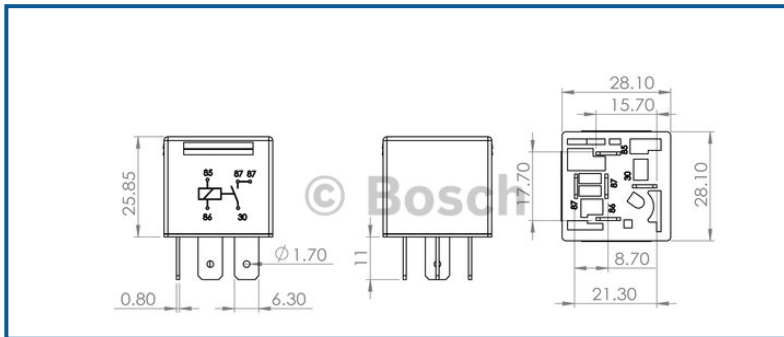
Mini Relays 12 V, 30 A

0 986 AH0 251

| Change over | Normal close | Normal open |
|-------------|--------------|-------------|
| | | ✓ |

2 x 87 terminal

| Mounting bracket | Resistor | Diode | Life durability | Current | Voltage | Number of Pins | Housing type | Temperature range | Degree of protection housing | Degree of protection connection |
|------------------|----------|-------|-----------------|---------|---------|----------------|-----------------|-------------------|------------------------------|---------------------------------|
| X | ✓ | X | 100.000 | 30 A | 12 V | 5 | Plastic housing | -40... +100°C | IP5K4 | IP20 |



[Back to general overview](#)

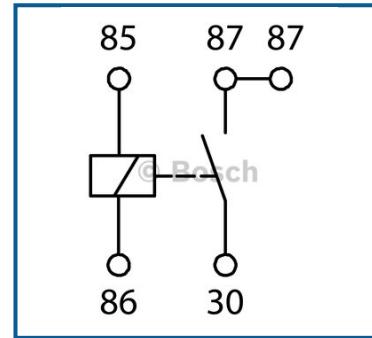
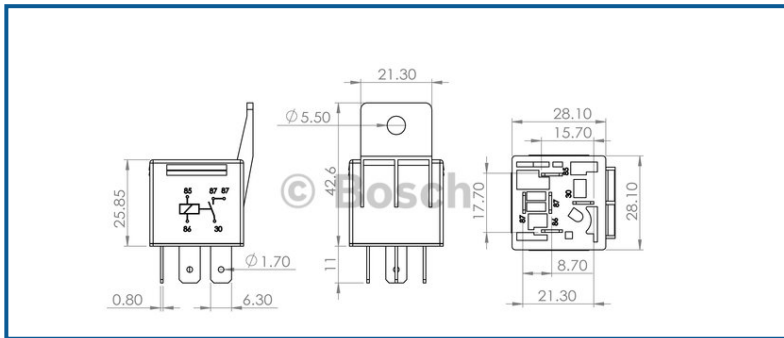
Mini Relays 24 V, 20 A

0 986 AH0 253

| Change over | Normal close | Normal open |
|-------------|--------------|-------------|
| | | ✓ |

2 x 87 terminal

| Mounting bracket | Resistor | Diode | Life durability | Current | Voltage | Number of Pins | Housing type | Temperature range | Degree of protection housing | Degree of protection connection |
|------------------|----------|-------|-----------------|---------|---------|----------------|-----------------|-------------------|------------------------------|---------------------------------|
| ✓ | X | X | 100.000 | 20 A | 24 V | 5 | Plastic housing | -40... +100°C | IP5K4 | IP20 |



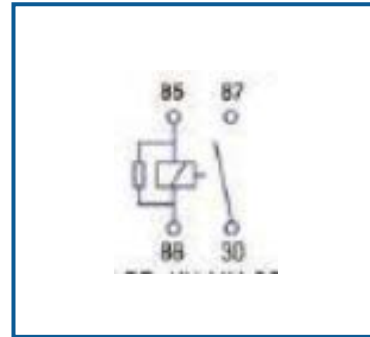
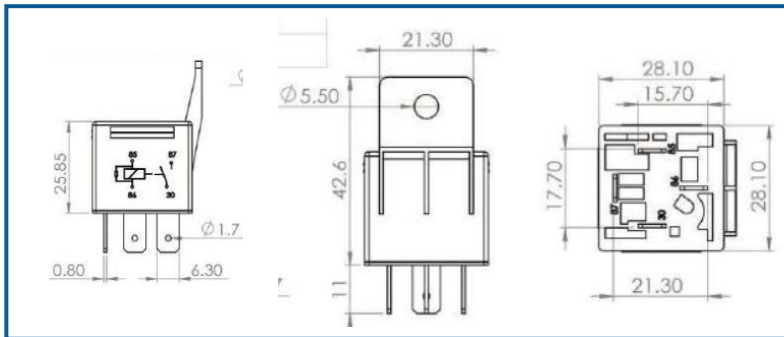
[Back to general overview](#)

Mini Relays 12 V, 30 A

0 986 AH0 453

| Change over | Normal close | Normal open |
|-------------|--------------|-------------|
| | | ✓ |

| Mounting bracket | Resistor | Diode | Life durability | Current | Voltage | Number of Pins | Housing type | Temperature range | Degree of protection housing | Degree of protection connection |
|------------------|----------|-------|-----------------|---------|---------|----------------|-----------------|-------------------|------------------------------|---------------------------------|
| ✓ | ✓ | X | 100.000 | 30 A | 12 V | 4 | Plastic housing | -40... +100°C | IP5K4 | IP20 |



[Back to general overview](#)

Mini Relays 12 V, 30 A

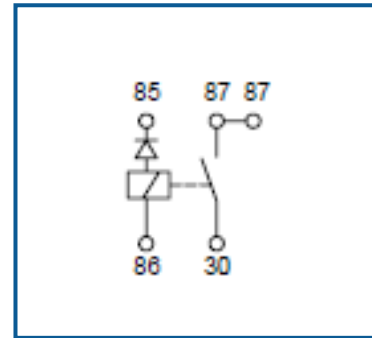
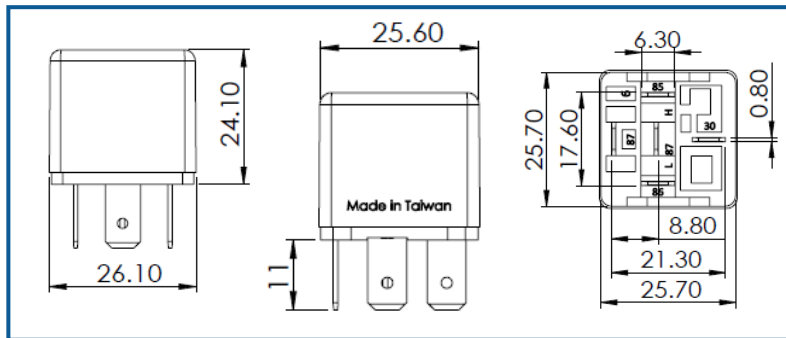
0 986 AH0 602

Replacement for: 0 332 014 112

| Change over | Normal close | Normal open |
|-------------|--------------|-------------|
| | | ✓ |

2 x 87 terminal

| Mounting bracket | Resistor | Diode | Life durability | Current | Voltage | Number of Pins | Housing type | Temperature range | Degree of protection housing | Degree of protection connection |
|------------------|----------|-------|-----------------|---------|---------|----------------|-----------------|-------------------|------------------------------|---------------------------------|
| X | X | ✓ | 100.000 | 30 A | 12 V | 5 | Plastic housing | -40... +100°C | IP5K4 | IP20 |



[Back to general overview](#)

Mini Relays 24 V, 20 A

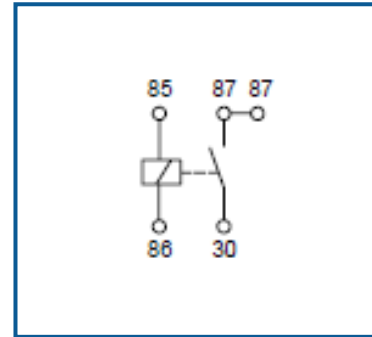
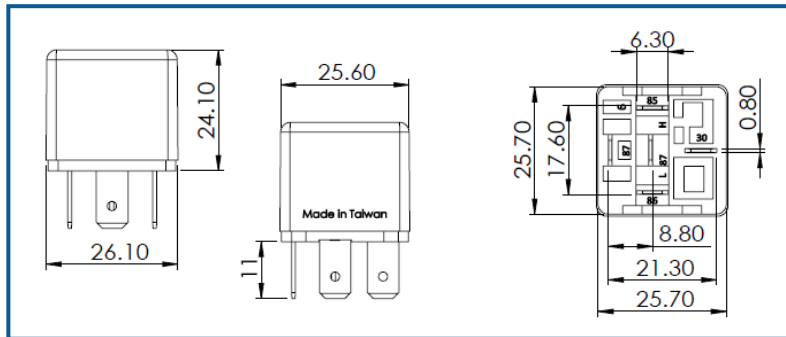
0 986 AH0 603

Replacement for: 0 332 014 213

| Change over | Normal close | Normal open |
|-------------|--------------|-------------|
| | | ✓ |

2 x 87 terminal

| Mounting bracket | Resistor | Diode | Life durability | Current | Voltage | Number of Pins | Housing type | Temperature range | Degree of protection housing | Degree of protection connection |
|------------------|----------|-------|-----------------|---------|---------|----------------|-----------------|-------------------|------------------------------|---------------------------------|
| X | X | X | 100.000 | 20 A | 24 V | 5 | Plastic housing | -40... +100°C | IP5K4 | IP20 |



[Back to general overview](#)

Mini Relays 12 V, 30 A

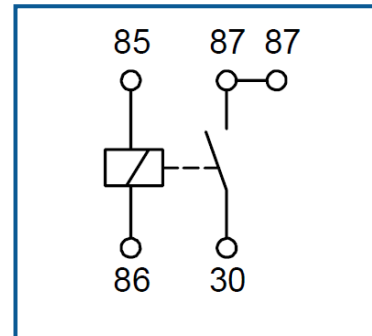
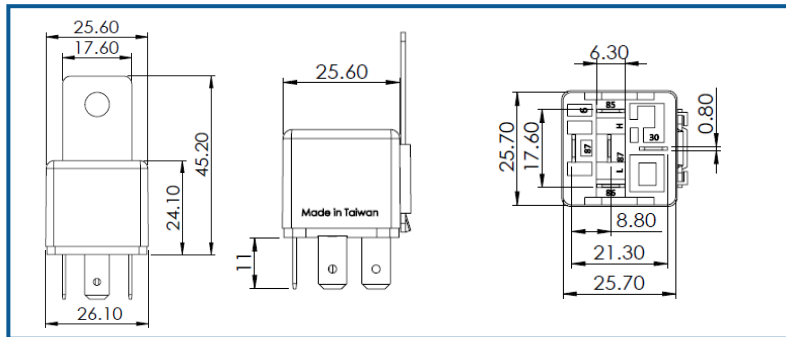
0 986 AH0 605

Replacement for: 0 332 014 125

| Change over | Normal close | Normal open |
|-------------|--------------|-------------|
| | | ✓ |

2 x 87 terminal

| Mounting bracket | Resistor | Diode | Life durability | Current | Voltage | Number of Pins | Housing type | Temperature range | Degree of protection housing | Degree of protection connection |
|------------------|----------|-------|-----------------|---------|---------|----------------|-----------------|-------------------|------------------------------|---------------------------------|
| ✓ | X | X | 100.000 | 30 A | 12 V | 5 | Plastic housing | -40... +100°C | IP5K4 | IP20 |



[Back to general overview](#)

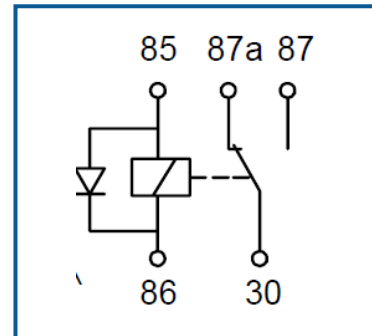
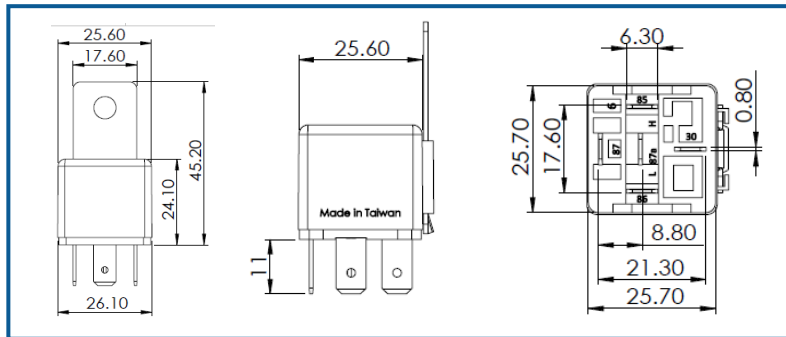
Mini Relays 24 V, 10 A

0 986 AH0 612

Replacement for: 0 332 204 212

| Change over | Normal close | Normal open |
|-------------|--------------|-------------|
| ✓ | | |

| Mounting bracket | Resistor | Diode | Life durability | Current | Voltage | Number of Pins | Housing type | Temperature range | Degree of protection housing | Degree of protection connection |
|------------------|----------|-------|-----------------|---------|---------|----------------|-----------------|-------------------|------------------------------|---------------------------------|
| ✓ | X | ✓ | 100.000 | 10 A | 24 V | 5 | Plastic housing | -40... +100°C | IP5K4 | IP20 |



[Back to general overview](#)

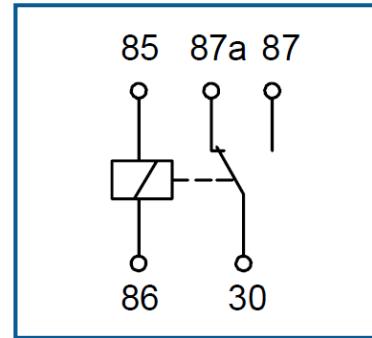
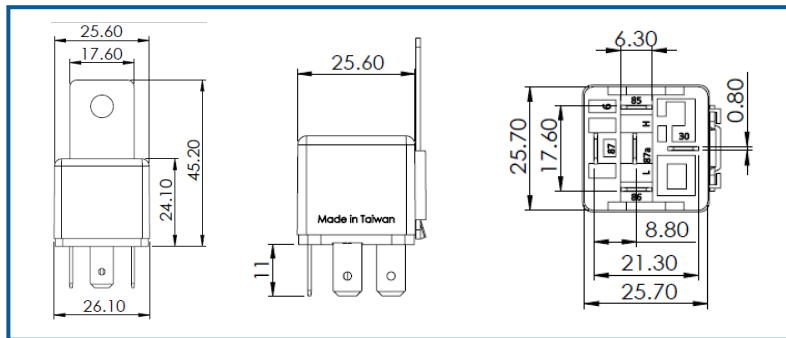
Mini Relays 24 V, 20 A

0 986 AH0 613

Replacement for: 0 332 204 203

| Change over | Normal close | Normal open |
|-------------|--------------|-------------|
| ✓ | | |

| Mounting bracket | Resistor | Diode | Life durability | Current | Voltage | Number of Pins | Housing type | Temperature range | Degree of protection housing | Degree of protection connection |
|------------------|----------|-------|-----------------|---------|---------|----------------|-----------------|-------------------|------------------------------|---------------------------------|
| ✓ | X | X | 100.000 | 20 A | 24 V | 5 | Plastic housing | -40... +100°C | IP5K4 | IP20 |



[Back to general overview](#)

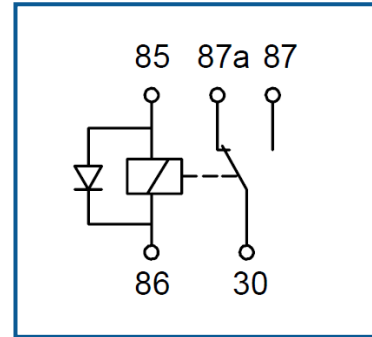
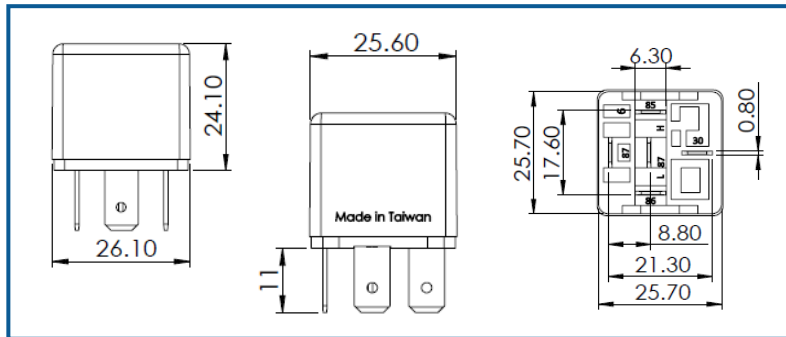
Mini Relays 24 V, 20/10 A

0 986 AH0 614

Replacement for: 0 332 204 204

| Change over | Normal close | Normal open |
|-------------|--------------|-------------|
| ✓ | | |

| Mounting bracket | Resistor | Diode | Life durability | Current | Voltage | Number of Pins | Housing type | Temperature range | Degree of protection housing | Degree of protection connection |
|------------------|----------|-------|-----------------|---------|---------|----------------|-----------------|-------------------|------------------------------|---------------------------------|
| X | X | ✓ | 100.000 | 20/10 A | 24 V | 5 | Plastic housing | -40... +100°C | IP5K4 | IP20 |



[Back to general overview](#)

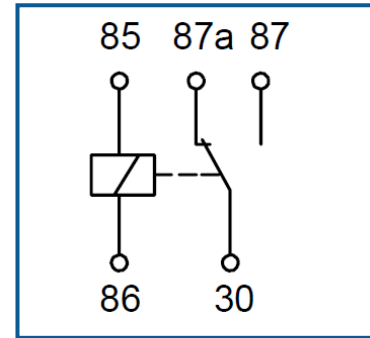
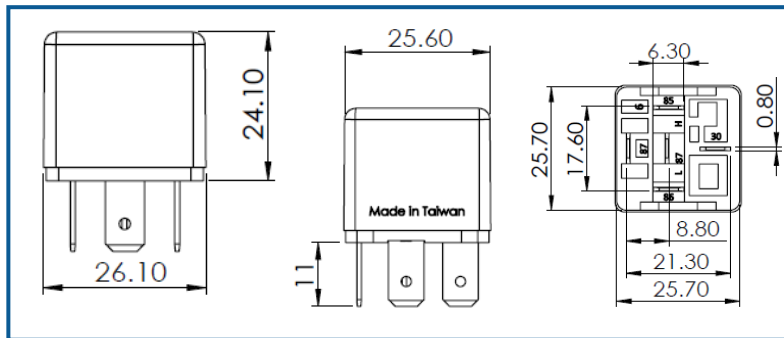
Mini Relays 24 V, 20 A

0 986 AH0 615

Replacement for: 0 332 204 202

| Change over | Normal close | Normal open |
|-------------|--------------|-------------|
| ✓ | | |

| Mounting bracket | Resistor | Diode | Life durability | Current | Voltage | Number of Pins | Housing type | Temperature range | Degree of protection housing | Degree of protection connection |
|------------------|----------|-------|-----------------|---------|---------|----------------|-----------------|-------------------|------------------------------|---------------------------------|
| X | X | X | 100.000 | 20 A | 24 V | 5 | Plastic housing | -40... +100°C | IP5K4 | IP20 |



[Back to general overview](#)

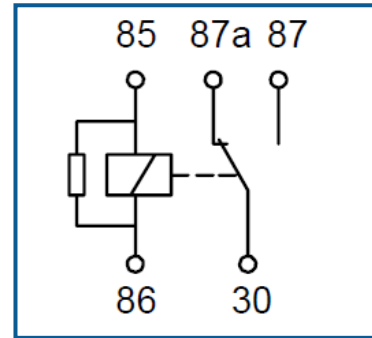
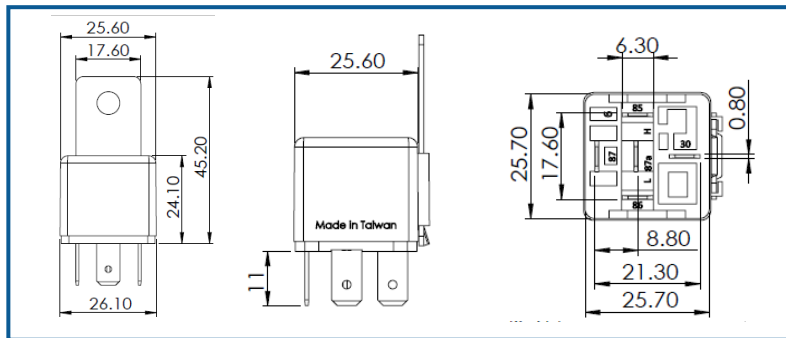
Mini Relays 24 V, 20/10 A

0 986 AH0 617

Replacement for: 0 332 204 207

| Change over | Normal close | Normal open |
|-------------|--------------|-------------|
| ✓ | | |

| Mounting bracket | Resistor | Diode | Life durability | Current | Voltage | Number of Pins | Housing type | Temperature range | Degree of protection housing | Degree of protection connection |
|------------------|----------|-------|-----------------|---------|---------|----------------|-----------------|-------------------|------------------------------|---------------------------------|
| ✓ | ✓ | X | 100.000 | 20/10 A | 24 V | 5 | Plastic housing | -40... +100°C | IP5K4 | IP20 |



[Back to general overview](#)

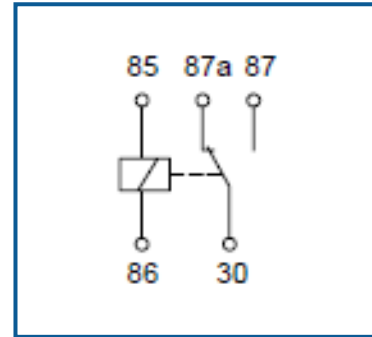
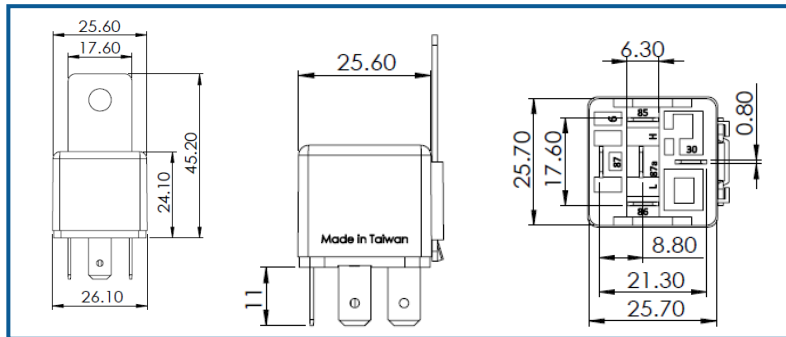
Mini Relays 12 V, 30 A

0 986 AH0 625

Replacement for: 0 332 204 125

| Change over | Normal close | Normal open |
|-------------|--------------|-------------|
| ✓ | | |

| Mounting bracket | Resistor | Diode | Life durability | Current | Voltage | Number of Pins | Housing type | Temperature range | Degree of protection housing | Degree of protection connection |
|------------------|----------|-------|-----------------|---------|---------|----------------|-----------------|-------------------|------------------------------|---------------------------------|
| ✓ | X | X | 100.000 | 30 A | 12 V | 5 | Plastic housing | -40... +100°C | IP5K4 | IP20 |



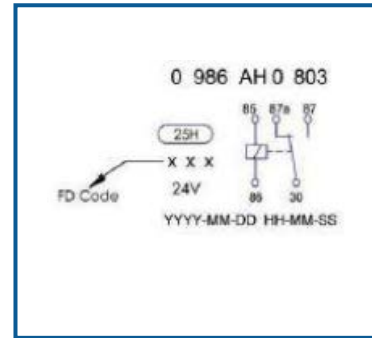
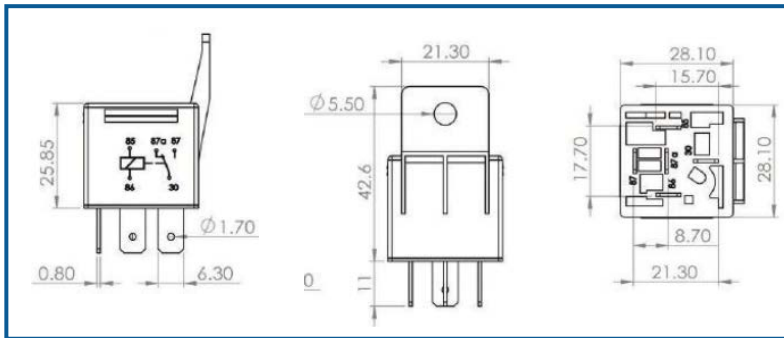
[Back to general overview](#)

Mini Relays 24 V, 20 A

0 986 AH0 803

| Change over | Normal close | Normal open |
|-------------|--------------|-------------|
| ✓ | | |

| Mounting bracket | Resistor | Diode | Life durability | Current | Voltage | Number of Pins | Housing type | Temperature range | Degree of protection housing | Degree of protection connection |
|------------------|----------|-------|-----------------|---------|---------|----------------|-----------------|-------------------|------------------------------|---------------------------------|
| ✓ | X | X | 100.000 | 20 A | 24 V | 5 | Plastic housing | -40... +100°C | IP5K4 | IP20 |



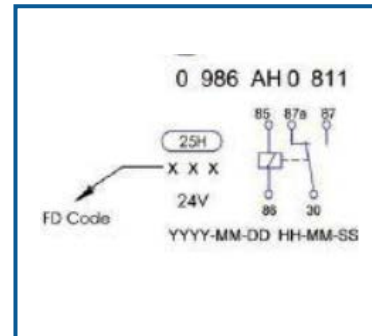
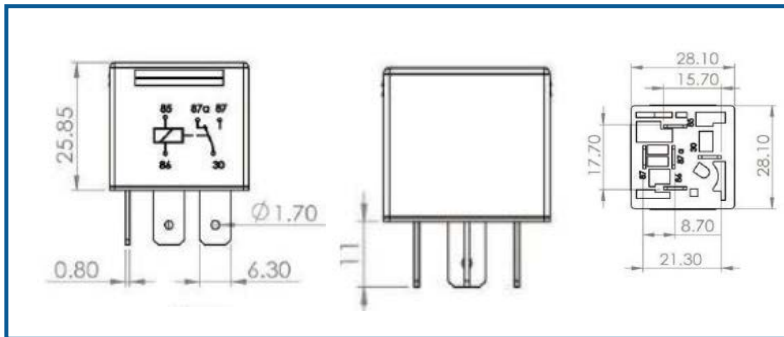
[Back to general overview](#)

Mini Relays 24 V, 20 A

0 986 AH0 811

| Change over | Normal close | Normal open |
|-------------|--------------|-------------|
| ✓ | | |

| Mounting bracket | Resistor | Diode | Life durability | Current | Voltage | Number of Pins | Housing type | Temperature range | Degree of protection housing | Degree of protection connection |
|------------------|----------|-------|-----------------|---------|---------|----------------|-----------------|-------------------|------------------------------|---------------------------------|
| X | X | X | 100.000 | 20 A | 24 V | 5 | Plastic housing | -40... +100°C | IP5K4 | IP20 |



[Back to general overview](#)

Battery Relays

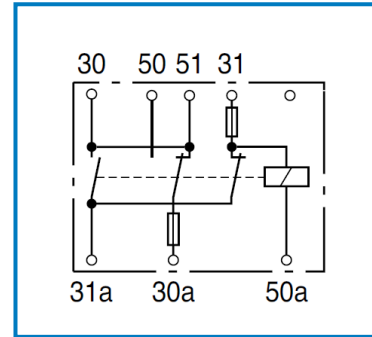
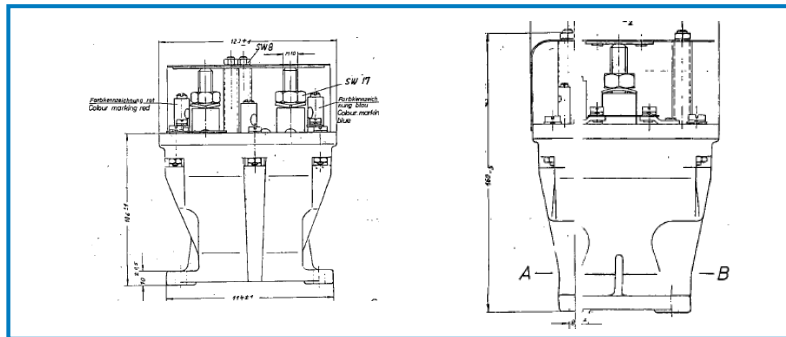
Overview

Battery Relays 12V, 75 A

0 333 300 003

| Change over | Normal close | Normal open |
|-------------|--------------|-------------|
| ✓ | | ✓ |

| Mounting bracket | Resistor | Diode | Life durability | Current | Voltage | Housing type | Temperature range | Degree of protection housing | Degree of protection connection |
|------------------|----------|-------|-----------------|---------|---------|---------------|-------------------|------------------------------|---------------------------------|
| X | X | X | 20.000 | 75 A | 12 V | metal housing | -40... +100°C | IP5K4 | IP20 |



[Back to general overview](#)

Lamp Relays

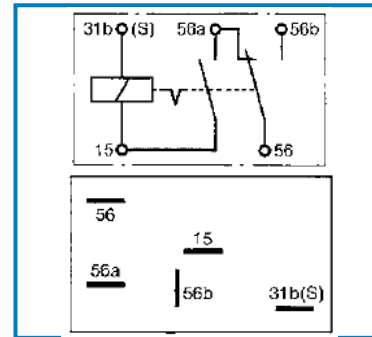
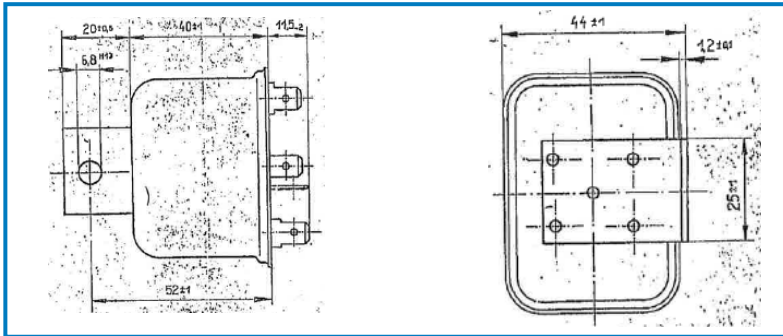
Overview

Headlamp Relays 12V

0 332 515 009

| Change over | Normal close | Normal open |
|-------------|--------------|-------------|
| ✓ | | ✓ |

| Mounting bracket | Resistor | Diode | Life durability | Load | Voltage | Housing type | Temperature range | Degree of protection housing | Degree of protection connection |
|------------------|----------|-------|-----------------|-------|---------|---------------|-------------------|------------------------------|---------------------------------|
| ✓ | X | X | - | 150 W | 12 V | metal housing | -40... +100°C | IP5K4 | IP20 |



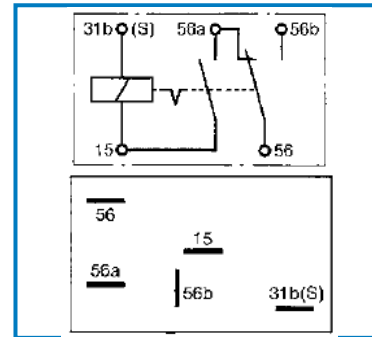
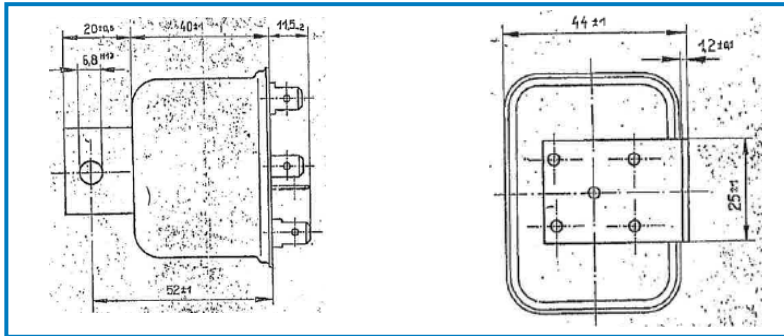
[Back to general overview](#)

Headlamp Relays 24V

0 332 515 012

| Change over | Normal close | Normal open |
|-------------|--------------|-------------|
| ✓ | | ✓ |

| Mounting bracket | Resistor | Diode | Life durability | Load | Voltage | Housing type | Temperature range | Degree of protection housing | Degree of protection connection |
|------------------|----------|-------|-----------------|-------|---------|---------------|-------------------|------------------------------|---------------------------------|
| ✓ | X | X | - | 150 W | 24 V | metal housing | -40...+100°C | IP5K4 | IP20 |



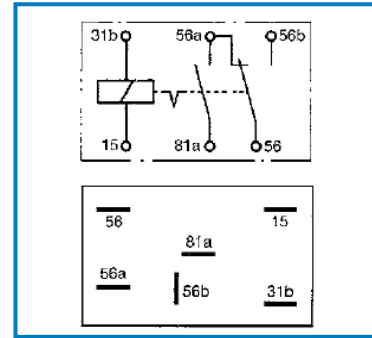
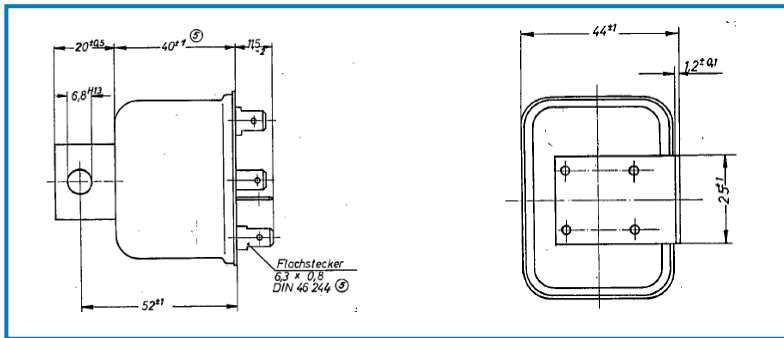
[Back to general overview](#)

Headlamp Relays 12V

0 332 515 022

| Change over | Normal close | Normal open |
|-------------|--------------|-------------|
| ✓ | | ✓ |

| Mounting bracket | Resistor | Diode | Life durability | Load | Voltage | Housing type | Temperature range | Degree of protection housing | Degree of protection connection |
|------------------|----------|-------|-----------------|-------|---------|---------------|-------------------|------------------------------|---------------------------------|
| ✓ | X | X | - | 150 W | 12 V | metal housing | -40... +100°C | IP5K4 | IP20 |



[Back to general overview](#)

Power Relays

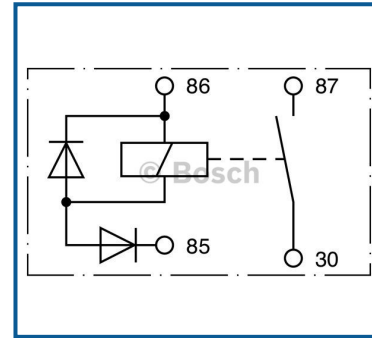
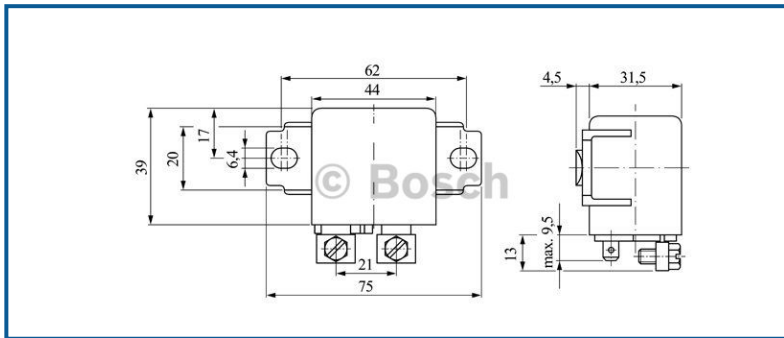
Overview

Power Relays 12 V, 75 A

0 332 002 156

| | | |
|-------------|--------------|-------------|
| Change over | Normal close | Normal open |
| | | ✓ |

| Mounting bracket | Resistor | Diode | Life durability | Current | Voltage | Housing type | Temperature range | Degree of protection housing | Degree of protection connection |
|------------------|----------|-------|-----------------|---------|---------|-----------------|-------------------|------------------------------|---------------------------------|
| ✓ | X | ✓ | 100.000 | 75 A | 12 V | Plastic housing | -40...+100°C | IP5K4 | IP20 |



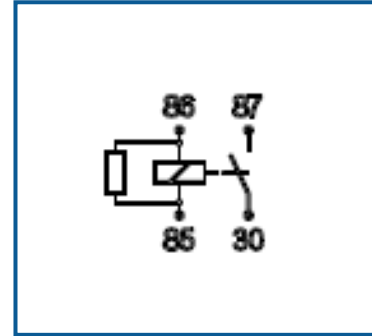
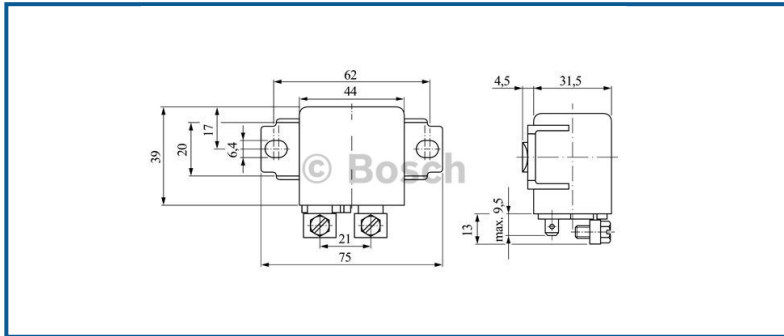
[Back to general overview](#)

Power Relays 12 V, 75 A

0 332 002 168

| | | |
|-------------|--------------|-------------|
| Change over | Normal close | Normal open |
| | | ✓ |

| Mounting bracket | Resistor | Diode | Life durability | Current | Voltage | Housing type | Temperature range | Degree of protection housing | Degree of protection connection |
|------------------|----------|-------|-----------------|---------|---------|-----------------|-------------------|------------------------------|---------------------------------|
| ✓ | ✓ | ✗ | 75.000 | 75 A | 12 V | Plastic housing | -40... +100°C | IP5K4 | IP20 |



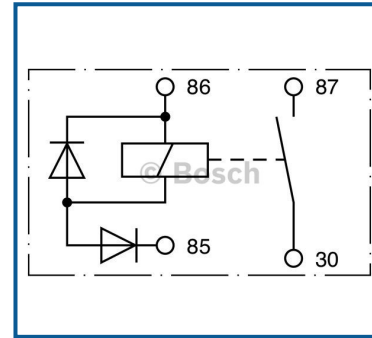
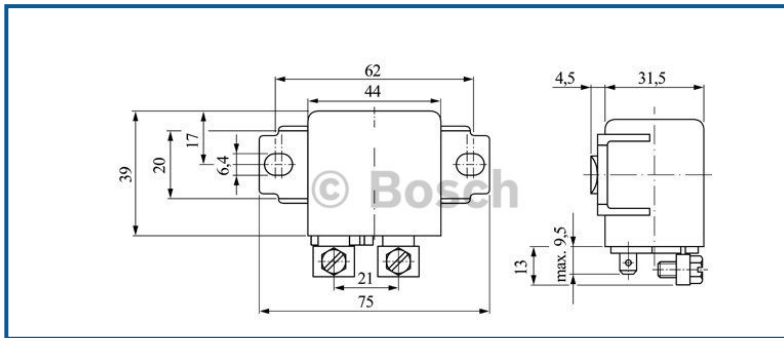
[Back to general overview](#)

Power Relays 24 V, 50 A

0 332 002 256

| | | |
|-------------|--------------|-------------|
| Change over | Normal close | Normal open |
| | | ✓ |

| Mounting bracket | Resistor | Diode | Life durability | Current | Voltage | Housing type | Temperature range | Degree of protection housing | Degree of protection connection |
|------------------|----------|-------|-----------------|---------|---------|-----------------|-------------------|------------------------------|---------------------------------|
| ✓ | X | ✓ | 50.000 | 50 A | 24 V | Plastic housing | -40...+100°C | IP5K4 | IP20 |



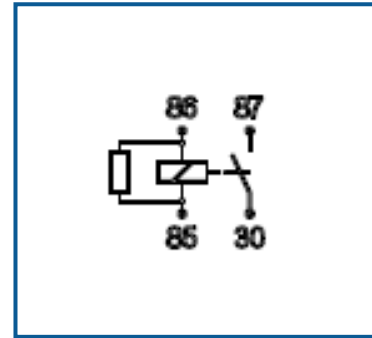
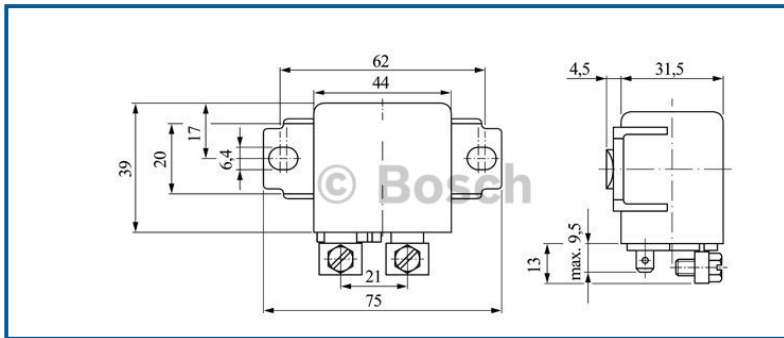
[Back to general overview](#)

Power Relays 24 V, 50 A

0 332 002 258

| | | |
|-------------|--------------|-------------|
| Change over | Normal close | Normal open |
| | | ✓ |

| Mounting bracket | Resistor | Diode | Life durability | Current | Voltage | Housing type | Temperature range | Degree of protection housing | Degree of protection connection |
|------------------|----------|-------|-----------------|---------|---------|-----------------|-------------------|------------------------------|---------------------------------|
| ✓ | ✓ | X | 50.000 | 50 A | 24 V | Plastic housing | -40...+100°C | IP5K4 | IP20 |



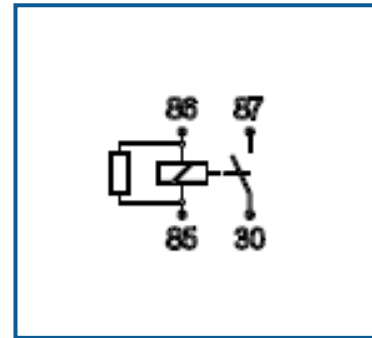
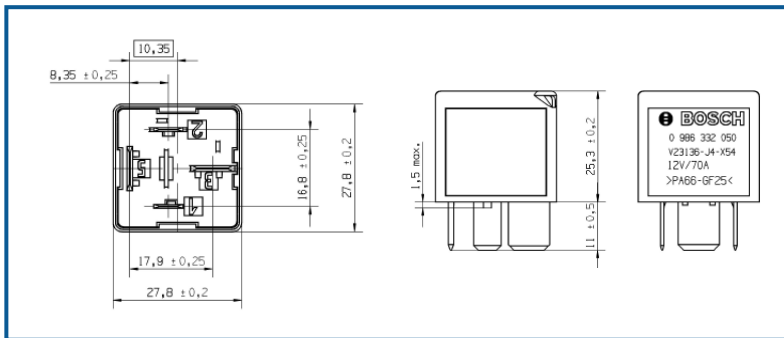
[Back to general overview](#)

Power Relays 12 V, 70 A

0 986 332 050

| Change over | Normal close | Normal open |
|-------------|--------------|-------------|
| | | ✓ |

| Mounting bracket | Resistor | Diode | Life durability | Current | Voltage | Housing type | Temperature range | Degree of protection housing | Degree of protection connection |
|------------------|----------|-------|-----------------|---------|---------|-----------------|---------------------|------------------------------|---------------------------------|
| X | ✓ | X | 100.000 | 70 A | 12 V | Plastic housing | - 40 °C ... + 85 °C | IP5K4 | IP20 |



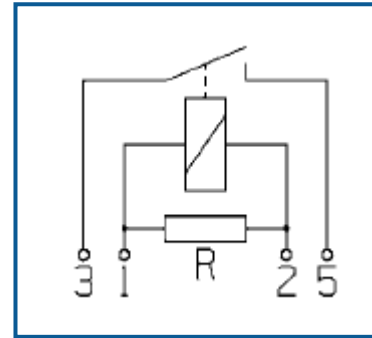
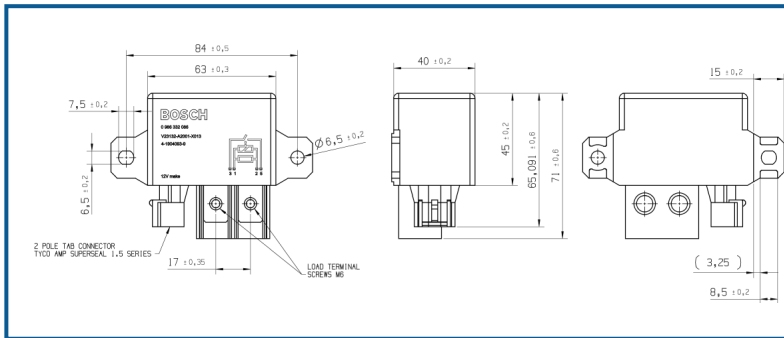
[Back to general overview](#)

Power Relays 12 V, 150 A

0 986 332 086

| | | |
|-------------|--------------|-------------|
| Change over | Normal close | Normal open |
| | | ✓ |

| Mounting bracket | Resistor | Diode | Life durability | Current | Voltage | Housing type | Temperature range | Degree of protection housing | Degree of protection connection |
|------------------|----------|-------|-----------------|---------|---------|-----------------|-------------------|------------------------------|---------------------------------|
| ✓ | ✓ | X | 100.000 | 150 A | 12 V | Plastic housing | -40... +100°C | IP5K4 | IP20 |



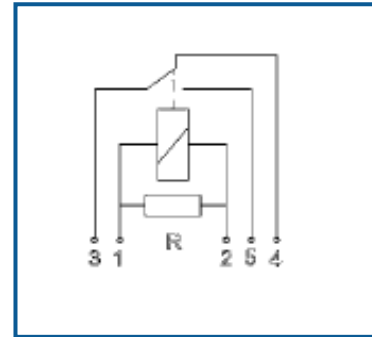
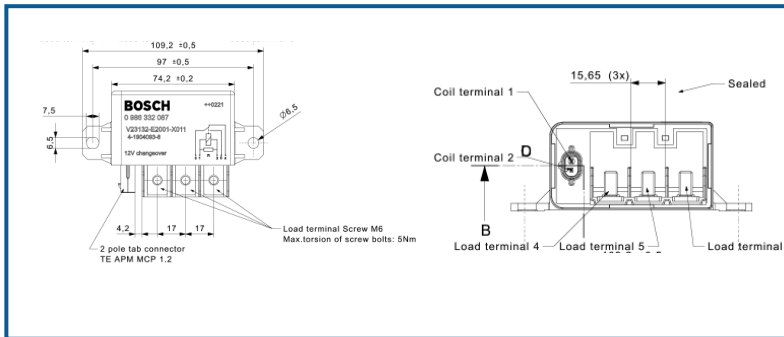
[Back to general overview](#)

Power Relays 12 V, 150 A

0 986 332 087

| | | |
|-------------|--------------|-------------|
| Change over | Normal close | Normal open |
| ✓ | | |

| Mounting bracket | Resistor | Diode | Life durability | Current | Voltage | Housing type | Temperature range | Degree of protection housing | Degree of protection connection |
|------------------|----------|-------|-----------------|---------|---------|-----------------|-------------------|------------------------------|---------------------------------|
| ✓ | ✓ | X | 100.000 | 150 A | 12 V | Plastic housing | -40... +100°C | IP5K4 | IP20 |



[Back to general overview](#)

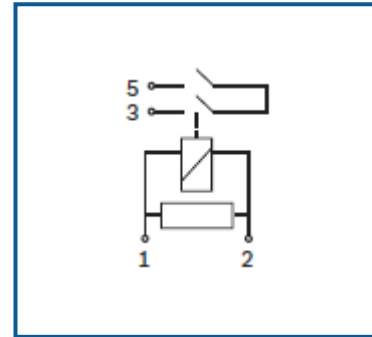
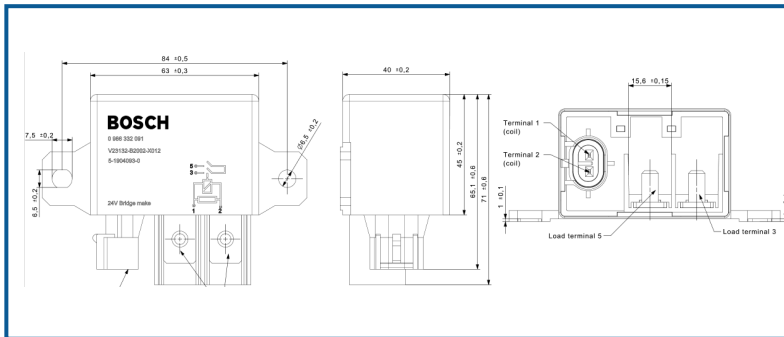
Power Relays 24 V, 150 A

0 986 332 091

| | | |
|-------------|--------------|-------------|
| Change over | Normal close | Normal open |
| | | ✓ |

2 x make contact

| Mounting bracket | Resistor | Diode | Life durability | Current | Voltage | Housing type | Temperature range | Degree of protection housing | Degree of protection connection |
|------------------|----------|-------|-----------------|---------|---------|-----------------|-------------------|------------------------------|---------------------------------|
| ✓ | ✓ | X | 100.000 | 150 A | 24 V | Plastic housing | -40...+100°C | IP5K4 | IP20 |



[Back to general overview](#)

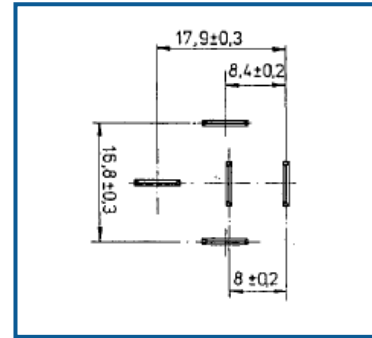
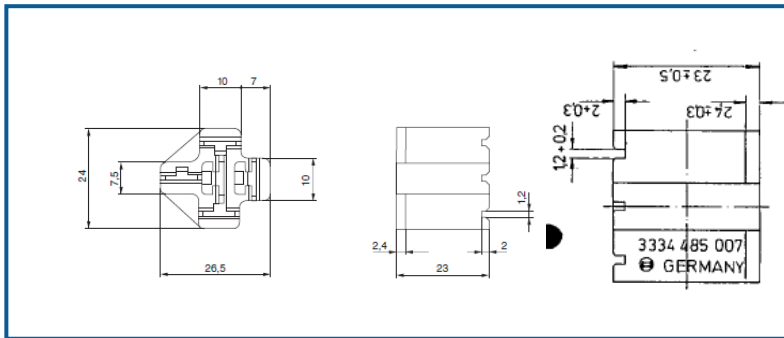
Sockets

Overview

Socket

3 334 485 007

| Mounting bracket | Resistor | Diode | Life durability | Current | Voltage | Housing type | Temperature range | Degree of protection housing | Degree of protection connection |
|------------------|----------|-------|-----------------|---------|-----------|-----------------|-------------------|------------------------------|---------------------------------|
| X | X | X | - | - | 12 V/24 V | Plastic housing | -40... +100°C | IP5K4 | IP20 |

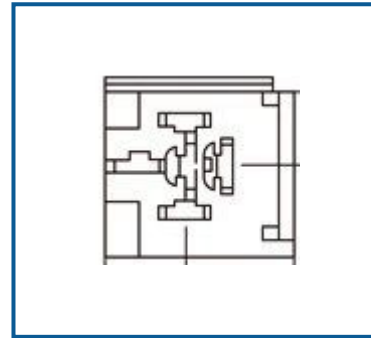
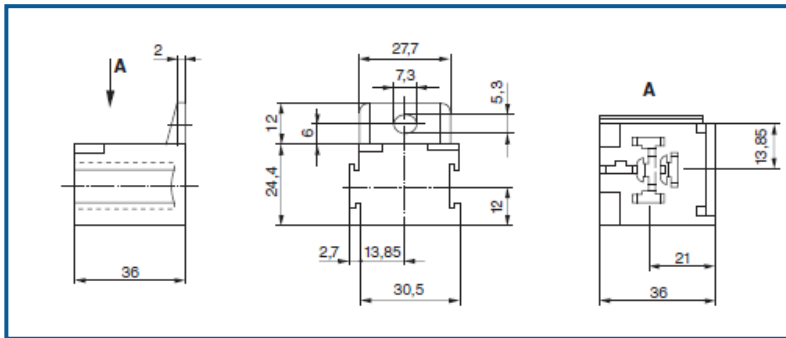


[Back to general overview](#)

Socket

3 334 485 008

| Mounting bracket | Resistor | Diode | Life durability | Current | Voltage | Housing type | Temperature range | Degree of protection housing | Degree of protection connection |
|------------------|----------|-------|-----------------|---------|---------|-----------------|-------------------|------------------------------|---------------------------------|
| ✓ | X | X | - | - | 12V/24V | Plastic housing | -40... +100°C | IP5K4 | IP20 |

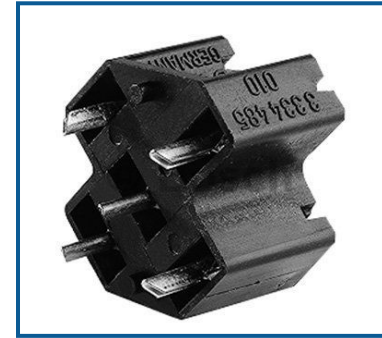
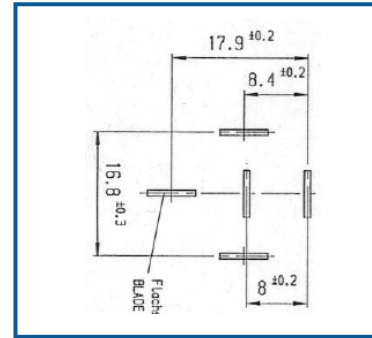
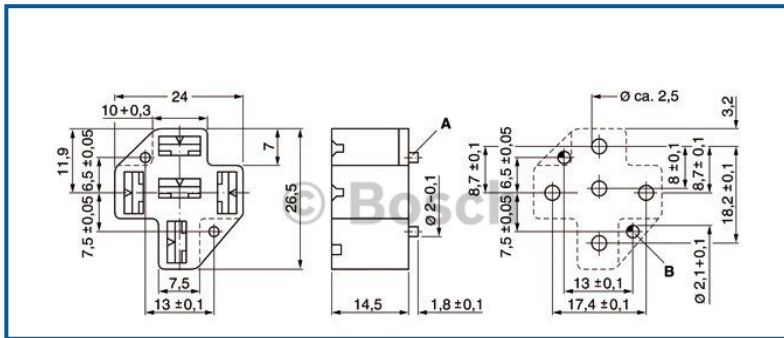


[Back to general overview](#)

Socket

3 334 485 041

| Mounting bracket | Resistor | Diode | Life durability | Current | Voltage | Housing type | Temperature range | Degree of protection housing | Degree of protection connection |
|------------------|----------|-------|-----------------|---------|---------|-----------------|-------------------|------------------------------|---------------------------------|
| X | X | X | - | - | 12/24 V | Plastic housing | -40... +100°C | IP5K4 | IP20 |

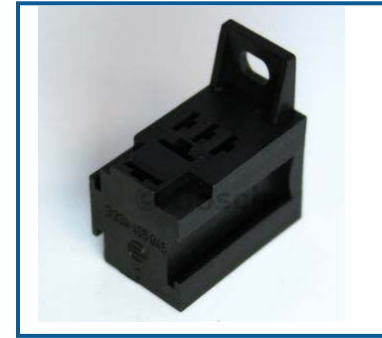
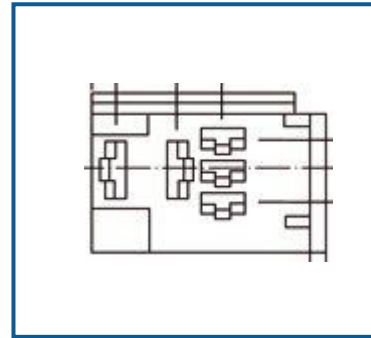
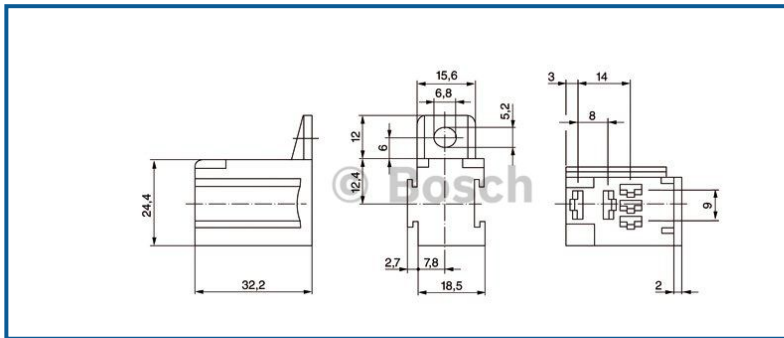


[Back to general overview](#)

Socket

3 334 485 045

| Mounting bracket | Resistor | Diode | Life durability | Current | Voltage | Housing type | Temperature range | Degree of protection housing | Degree of protection connection |
|------------------|----------|-------|-----------------|---------|---------|-----------------|-------------------|------------------------------|---------------------------------|
| ✓ | X | X | - | - | 12/24 V | Plastic housing | -40... +100°C | IP5K4 | IP20 |

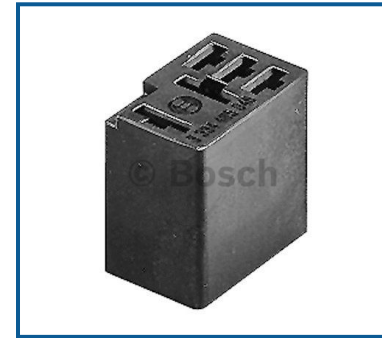
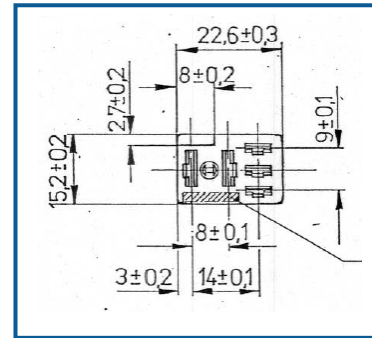
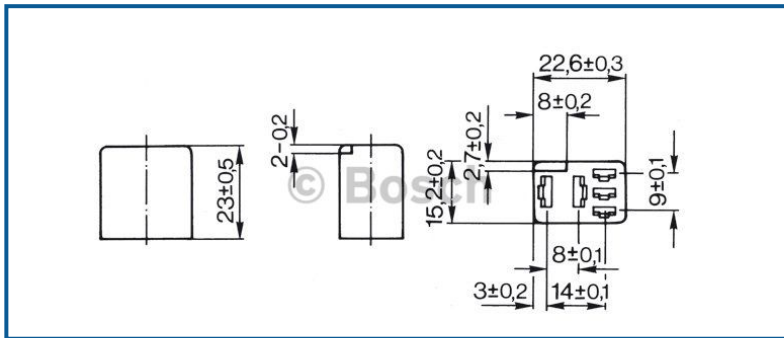


[Back to general overview](#)

Socket

3 334 485 046

| Mounting bracket | Resistor | Diode | Life durability | Current | Voltage | Housing type | Temperature range | Degree of protection housing | Degree of protection connection |
|------------------|----------|-------|-----------------|---------|---------|-----------------|-------------------|------------------------------|---------------------------------|
| X | X | X | - | - | 12/24 V | Plastic housing | -40... +100°C | IP5K4 | IP20 |

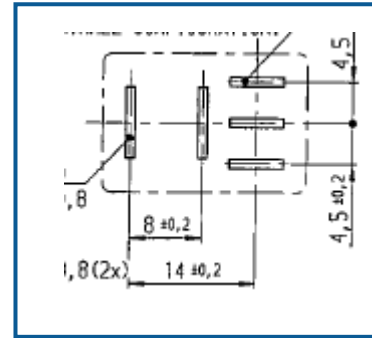
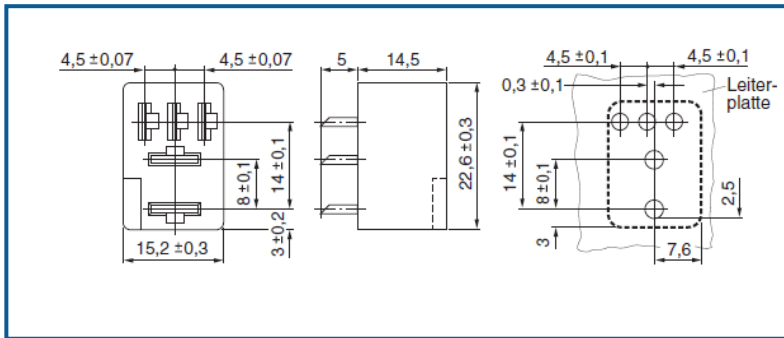


[Back to general overview](#)

Socket

3 334 485 049

| Mounting bracket | Resistor | Diode | Life durability | Current | Voltage | Housing type | Temperature range | Degree of protection housing | Degree of protection connection |
|------------------|----------|-------|-----------------|---------|---------|-----------------|-------------------|------------------------------|---------------------------------|
| X | X | X | - | - | 12/24 V | Plastic housing | -40... +100°C | IP5K4 | IP20 |



[Back to general overview](#)

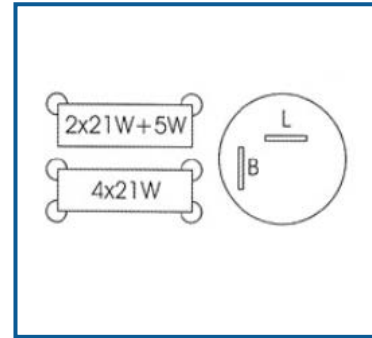
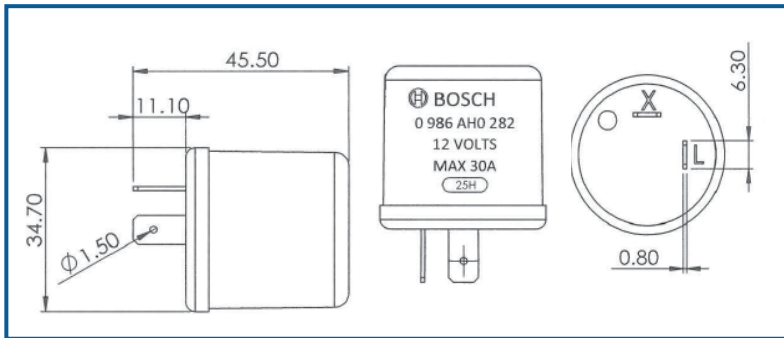
Hot-wire Flashers

Overview

Turn-Signal Flasher 12 V

0 986 AH0 282

| Mounting bracket | Resistor | Diode | Life durability | Load | Voltage | Housing type | Temperature range | Degree of protection housing | Degree of protection connection |
|------------------|----------|-------|-----------------|-------|---------|-----------------|---------------------|------------------------------|---------------------------------|
| X | X | X | 200 h | 400 W | 12 V DC | Plastic housing | - 30°C ... +85°C | IP5K4 | IP20 |

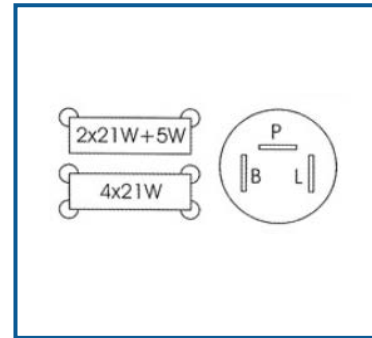
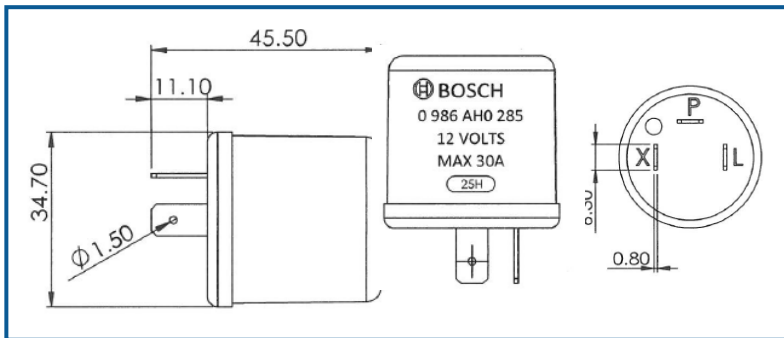


[Back to general overview](#)

Turn-Signal Flasher 12 V

0 986 AH0 285

| Mounting bracket | Resistor | Diode | Life durability | Load | Voltage | Housing type | Temperature range | Degree of protection housing | Degree of protection connection |
|------------------|----------|-------|-----------------|-------|---------|-----------------|-------------------|------------------------------|---------------------------------|
| X | X | X | 200 h | 400 W | 12 V DC | Plastic housing | - 30°C ... + 85°C | IP5K4 | IP20 |

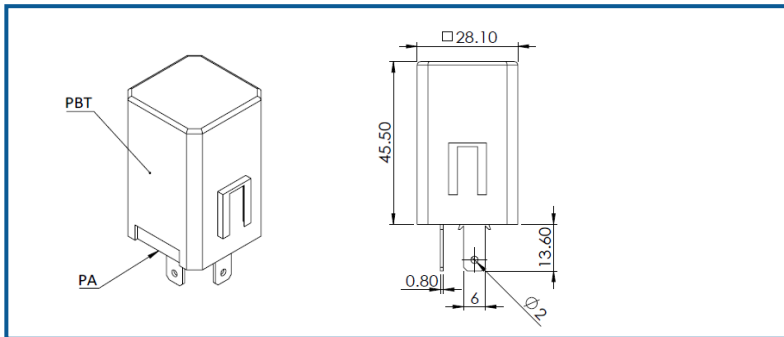


[Back to general overview](#)

Turn-Signal Flasher 12 V

0 986 AH0 288

| Mounting bracket | Resistor | Diode | Life durability | Load | Voltage | Housing type | Temperature range | Degree of protection housing | Degree of protection connection |
|------------------|----------|-------|-----------------|-------|---------|-----------------|---------------------|------------------------------|---------------------------------|
| X | X | X | 200 h | 250 W | 12 V DC | Plastic housing | - 30 °C ... + 85 °C | IP5K4 | IP20 |



EF41 35AMP 16LAMPS
12V 3P

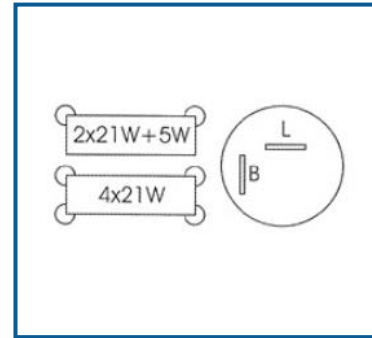
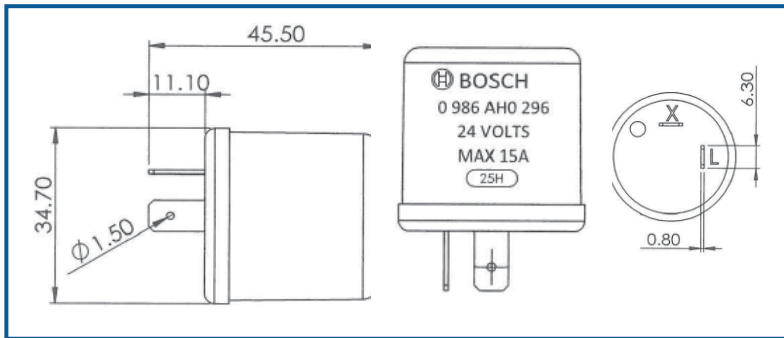


[Back to general overview](#)

Turn-Signal Flasher 24 V

0 986 AH0 296

| Mounting bracket | Resistor | Diode | Life durability | Load | Voltage | Housing type | Temperature range | Degree of protection housing | Degree of protection connection |
|------------------|----------|-------|-----------------|-------|---------|-----------------|---------------------|------------------------------|---------------------------------|
| X | X | X | 200 h | 400 W | 24 V DC | Plastic housing | - 30 °C ... + 85 °C | IP5K4 | IP20 |

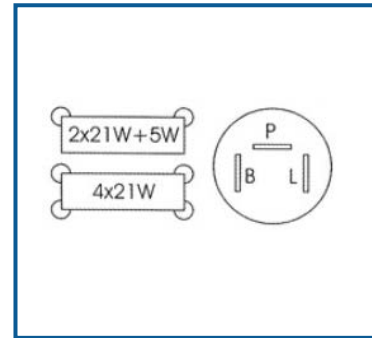
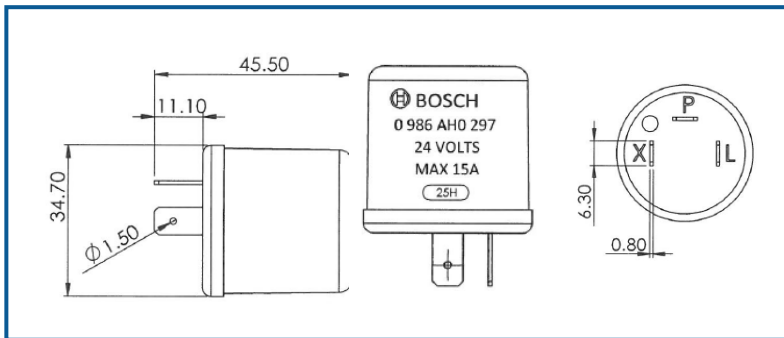


[Back to general overview](#)

Turn-Signal Flasher 24 V

0 986 AH0 297

| Mounting bracket | Resistor | Diode | Life durability | Load | Voltage | Housing type | Temperature range | Degree of protection housing | Degree of protection connection |
|------------------|----------|-------|-----------------|-------|---------|-----------------|---------------------|------------------------------|---------------------------------|
| X | X | X | 200 h | 400 W | 24 V DC | Plastic housing | - 30 °C ... + 85 °C | IP5K4 | IP20 |

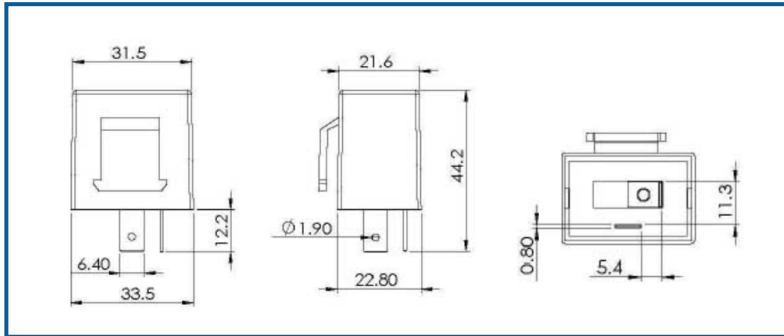


[Back to general overview](#)

Turn-Signal Flasher 12 V

0 986 AH0 404

| Mounting bracket | Resistor | Diode | Life durability | Load | Voltage | Housing type | Temperature range | Degree of protection housing | Degree of protection connection |
|------------------|----------|-------|-----------------|----------|---------|-----------------|---------------------|------------------------------|---------------------------------|
| X | X | X | > 200 h | 6 x 10 W | 12 V DC | Plastic housing | - 20 °C ... + 60 °C | IP5K4 | IP20 |



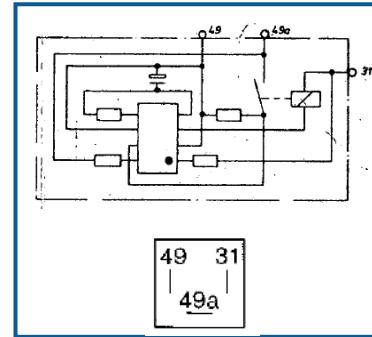
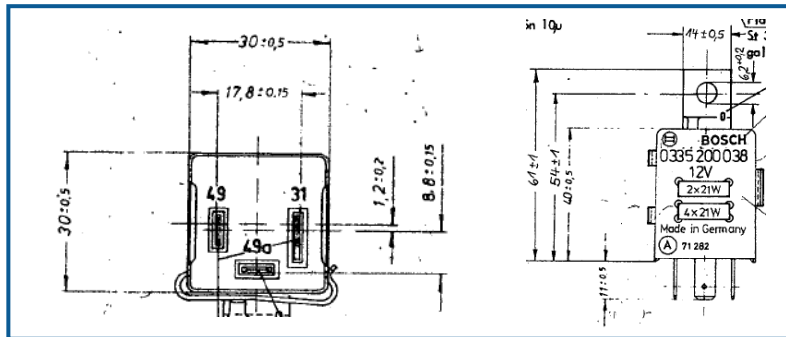
12V 2P
 10W*2+3.4W
 (10W*2+A.P.)
 Silent Flasher



[Back to general overview](#)

Electronic hazard-warning/turn-signal flashers 12 V 335 200 038

| Mounting bracket | Resistor | Diode | Life durability | Load | Voltage | Housing type | Temperature range | Degree of protection housing | Degree of protection connection |
|------------------|----------|-------|-----------------|---------------------|---------|-----------------|-------------------|------------------------------|---------------------------------|
| ✓ | ✓ | X | - | 2 (4)x 21 W + 0-4 W | 12 V | Plastic housing | -40... +100°C | IP5K4 | IP20 |

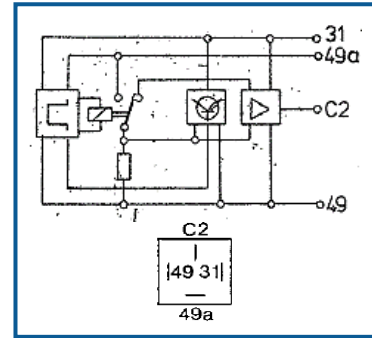
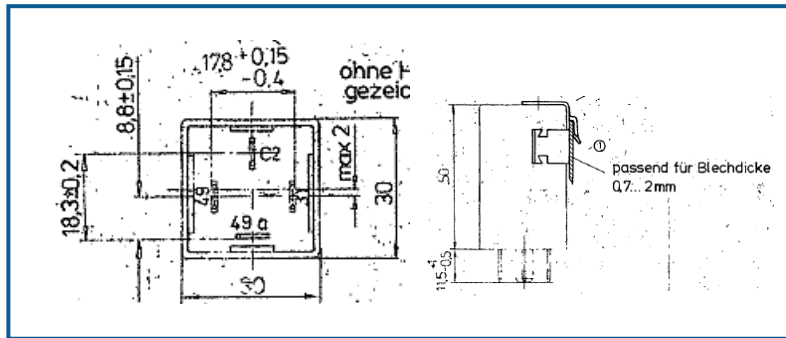


[Back to general overview](#)

Electronic hazard-warning/turn-signal flashers 12

V 335 200 041

| Mounting bracket | Resistor | Diode | Life durability | Load | Voltage | Housing type | Temperature range | Degree of protection housing | Degree of protection connection |
|------------------|----------|-------|-----------------|-----------------|---------|-----------------|-------------------|------------------------------|---------------------------------|
| ✓ | ✓ | ✓ | - | 2 + 1(6) x 21 W | 12 V | Plastic housing | -40... +100°C | IP5K4 | IP20 |



[Back to general overview](#)

Others

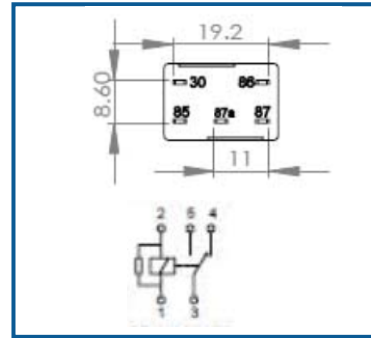
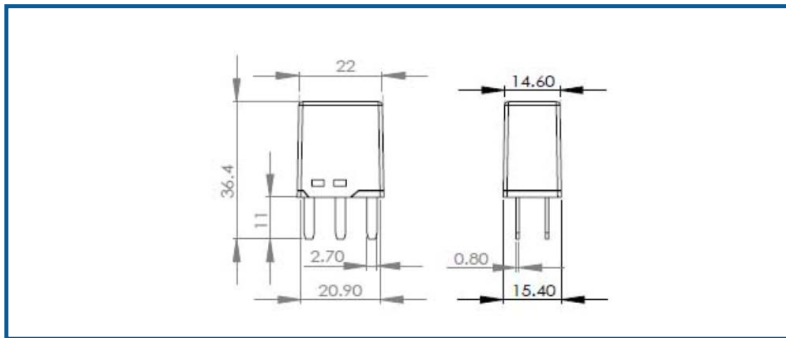
Overview

Micro Relay (GM Footprint) 12 V, 30 A

0 986 AH0 113

| Change over | Normal close | Normal open |
|-------------|--------------|-------------|
| ✓ | | |

| Mounting bracket | Resistor | Diode | Life durability | Current | Voltage | Number of Pins | Housing type | Temperature range | Degree of protection housing | Degree of protection connection |
|------------------|----------|-------|-----------------|---------|---------|----------------|-----------------|-------------------|------------------------------|---------------------------------|
| X | ✓ | X | 100.000 | 30/10 A | 12 V | 5 | Plastic housing | -40... +100°C | IP5K4 | IP20 |

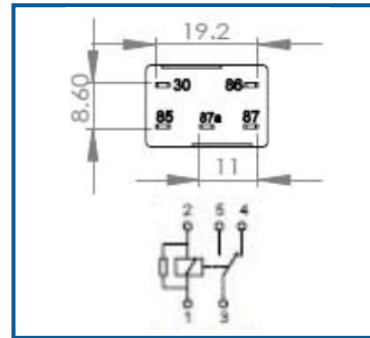
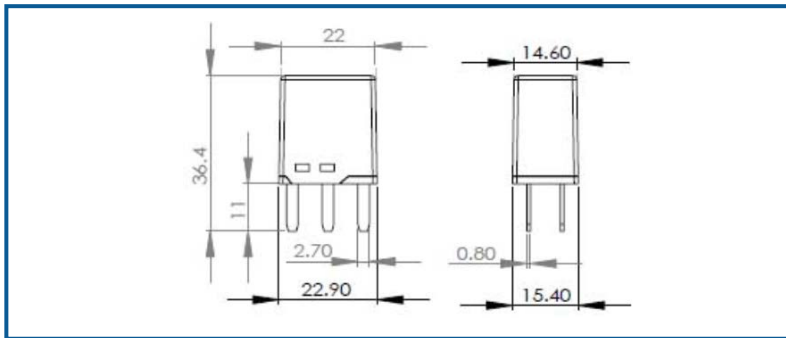


[Back to general overview](#)

Micro Relay (GM Footprint) 24 V, 0 986 AH0 114

| Change over | Normal close | Normal open |
|-------------|--------------|-------------|
| ✓ | | |

| Mounting bracket | Resistor | Diode | Life durability | Current | Voltage | Number of Pins | Housing type | Temperature range | Degree of protection housing | Degree of protection connection |
|------------------|----------|-------|-----------------|---------|---------|----------------|-----------------|-------------------|------------------------------|---------------------------------|
| X | ✓ | X | 100.000 | 10/5 A | 24 V | 5 | Plastic housing | -40... +100°C | IP5K4 | IP20 |

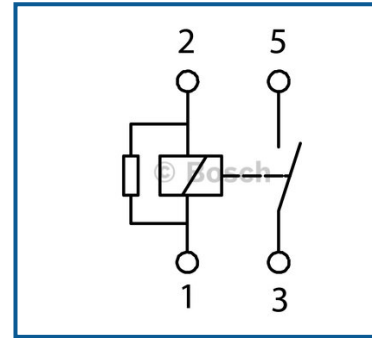
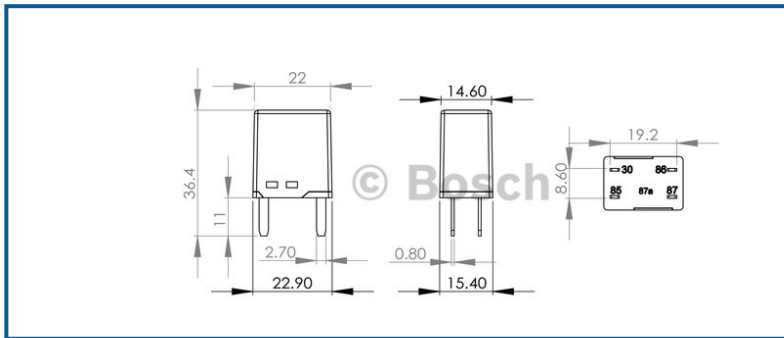


[Back to general overview](#)

Micro Relay (GM Footprint) 12 V, 0 986 AH0 115

| Change over | Normal close | Normal open |
|-------------|--------------|-------------|
| | | ✓ |

| Mounting bracket | Resistor | Diode | Life durability | Current | Voltage | Number of Pins | Housing type | Temperature range | Degree of protection housing | Degree of protection connection |
|------------------|----------|-------|-----------------|---------|---------|----------------|-----------------|-------------------|------------------------------|---------------------------------|
| X | ✓ | X | 100.000 | 30 A | 12 V | 4 | Plastic housing | -40... +100°C | IP5K4 | IP20 |

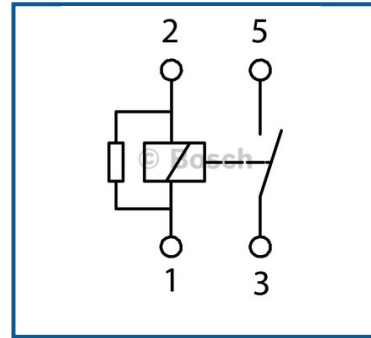
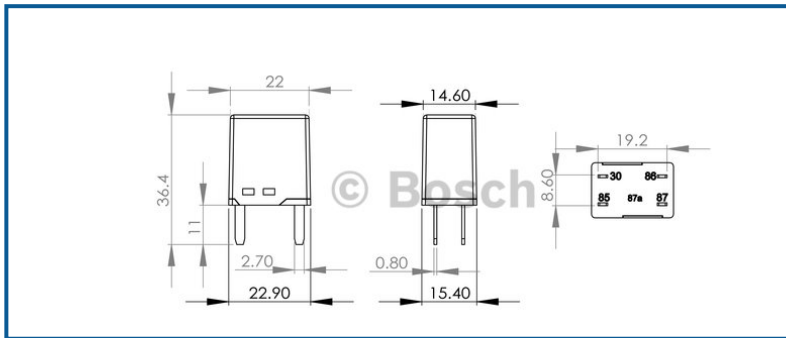


[Back to general overview](#)

Micro Relay (GM Footprint) 24 V, 0 986 AH0 116

| Change over | Normal close | Normal open |
|-------------|--------------|-------------|
| | | ✓ |

| Mounting bracket | Resistor | Diode | Life durability | Current | Voltage | Number of Pins | Housing type | Temperature range | Degree of protection housing | Degree of protection connection |
|------------------|----------|-------|-----------------|---------|---------|----------------|-----------------|-------------------|------------------------------|---------------------------------|
| X | ✓ | X | 100.000 | 10 A | 24 V | 4 | Plastic housing | -40... +100°C | IP5K4 | IP20 |

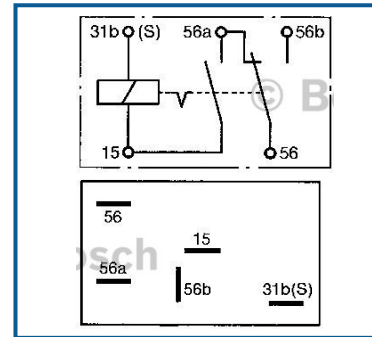
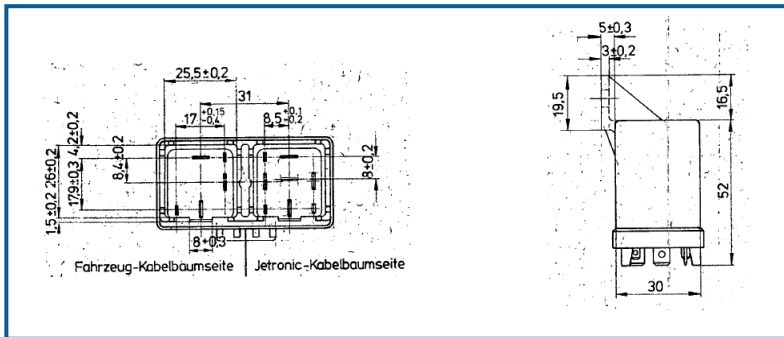


[Back to general overview](#)

Fuel pump Relays 12V, 15 A

0 332 514 121

| Mounting bracket | Resistor | Diode | Life durability | Current | Voltage | Housing type | Temperature range | Degree of protection housing | Degree of protection connection |
|------------------|----------|-------|-----------------|---------|---------|-----------------|-------------------|------------------------------|---------------------------------|
| ✓ | - | - | - | 15 A | 12 V | Plastic housing | -40... +100°C | IP5K4 | IP20 |

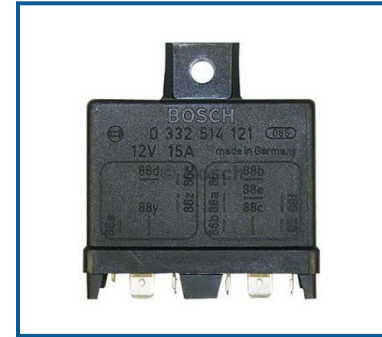
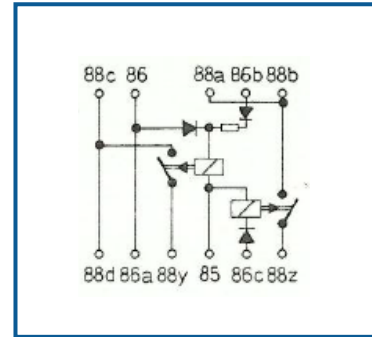
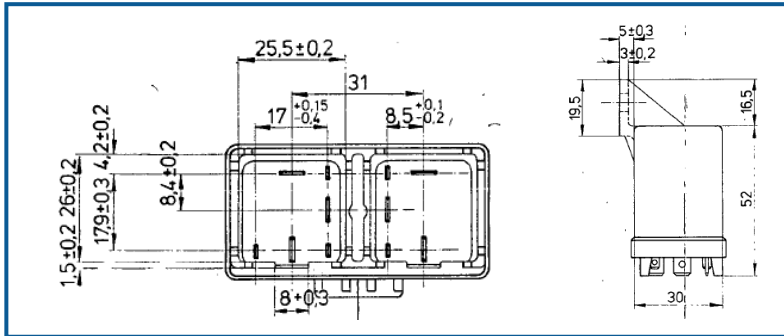


[Back to general overview](#)

Fuel pump Relays 12V, 15 A

0 332 514 120

| Mounting bracket | Resistor | Diode | Life durability | Current | Voltage | Housing type | Temperature range | Degree of protection housing | Degree of protection connection |
|------------------|----------|-------|-----------------|---------|---------|-----------------|-------------------|------------------------------|---------------------------------|
| ✓ | - | - | - | 15 A | 12 V | Plastic housing | -40... +100°C | IP5K4 | IP20 |



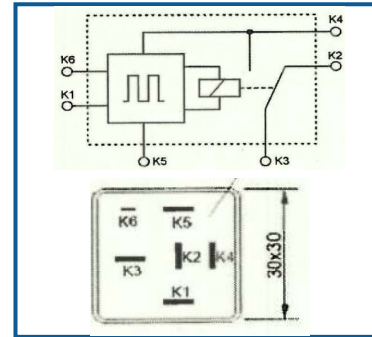
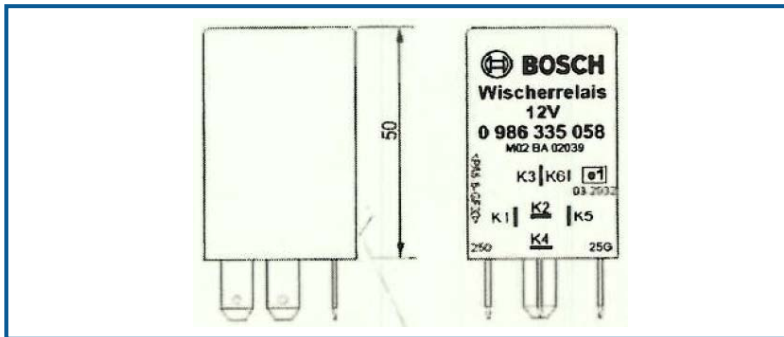
[Back to general overview](#)

Pulse Generator 12 V, 20 A

0 986 335 058

| Change over | Normal close | Normal open |
|-------------|--------------|-------------|
| | | ✓ |

| Mounting bracket | Resistor | Diode | Life durability | Current | Voltage | Number of Pins | Housing type | Temperature range | Degree of protection housing | Degree of protection connection |
|------------------|----------|-------|-----------------|---------|---------|----------------|-----------------|-------------------|------------------------------|---------------------------------|
| X | X | X | 75.000 | 20 A | 12 V | 6 | Plastic housing | -40...+100°C | IP5K4 | IP20 |

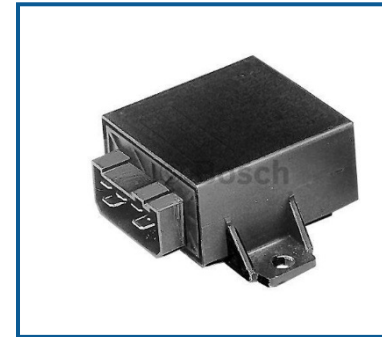
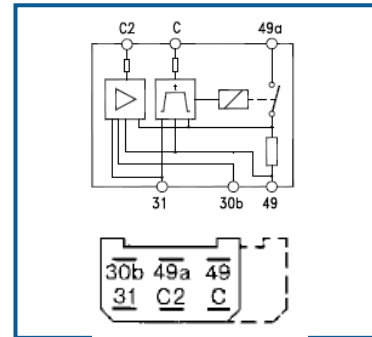
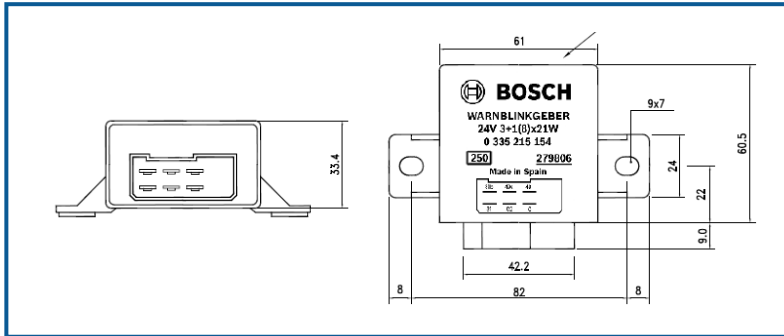


[Back to general overview](#)

Warning & Turn Signal Flasher 24 V

0 335 215 154

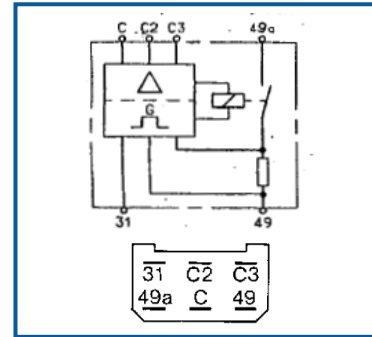
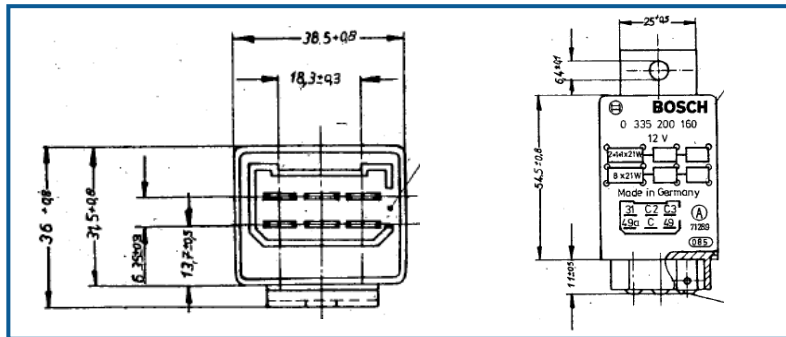
| Mounting bracket | Resistor | Diode | Life durability | Load | Voltage | Housing type | Temperature range | Degree of protection housing | Degree of protection connection |
|------------------|----------|-------|-----------------|----------------|---------|-----------------|-------------------|------------------------------|---------------------------------|
| ✓ | - | - | - | 3 + 1(8)x 21 W | 24 V | Plastic housing | -40... +100°C | IP5K4 | IP20 |



[Back to general overview](#)

Electronic hazard-warning/turn-signal flashers 12 V 335 200 160

| Mounting bracket | Resistor | Diode | Life durability | Load | Voltage | Housing type | Temperature range | Degree of protection housing | Degree of protection connection |
|------------------|----------|-------|-----------------|------------------------------|---------|-----------------|-------------------|------------------------------|---------------------------------|
| ✓ | - | - | - | 2+1 + 1(8)x 21W+ 1,2 – 2W | 12 V | Plastic housing | -40... +100°C | IP5K4 | IP20 |



[Back to general overview](#)

Micro Relays

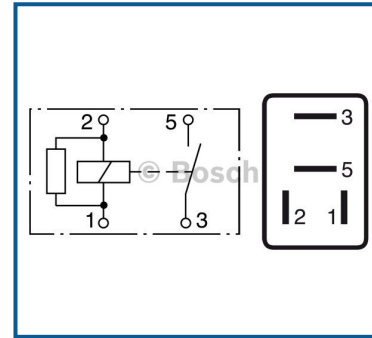
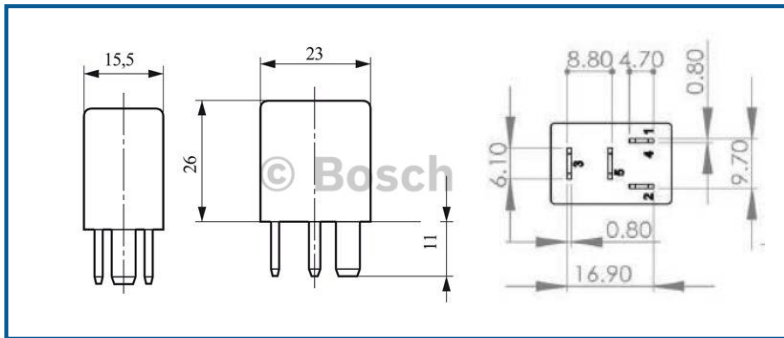
Overview

Micro Relays 12 V, 30 A

0 332 011 007

| Change over | Normal close | Normal open |
|-------------|--------------|-------------|
| | | ✓ |

| Mounting bracket | Resistor | Diode | Life durability | Current | Voltage | Number of Pins | Housing type | Temperature range | Degree of protection housing | Degree of protection connection |
|------------------|----------|-------|-----------------|---------|---------|----------------|-----------------|-------------------|------------------------------|---------------------------------|
| X | ✓ | X | 200.000 | 30 A | 12 V | 4 | Plastic housing | -40... +100°C | IP5K4 | IP20 |



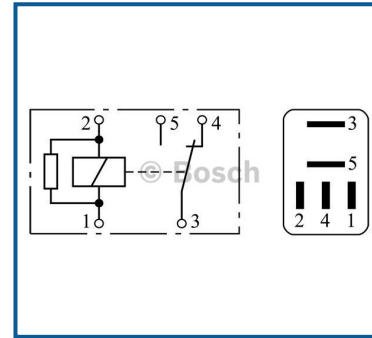
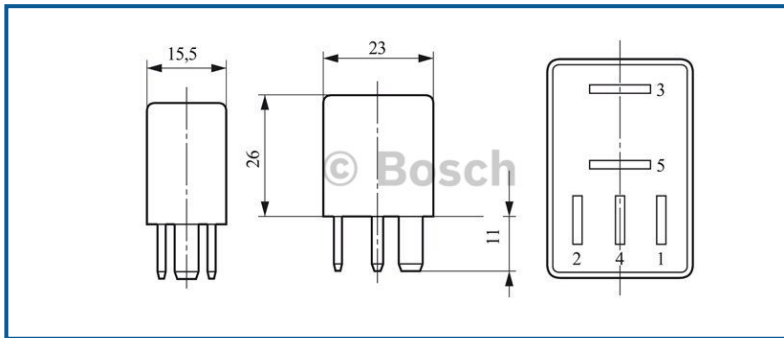
[Back to general overview](#)

Micro Relays 12 V, 30/10 A

0 332 201 107

| Change over | Normal close | Normal open |
|-------------|--------------|-------------|
| ✓ | | |

| Mounting bracket | Resistor | Diode | Life durability | Current | Voltage | Number of Pins | Housing type | Temperature range | Degree of protection housing | Degree of protection connection |
|------------------|----------|-------|-----------------|---------|---------|----------------|-----------------|-------------------|------------------------------|---------------------------------|
| X | ✓ | X | 200.000 | 30/10 A | 12 V | 5 | Plastic housing | -40... +100°C | IP5K4 | IP20 |



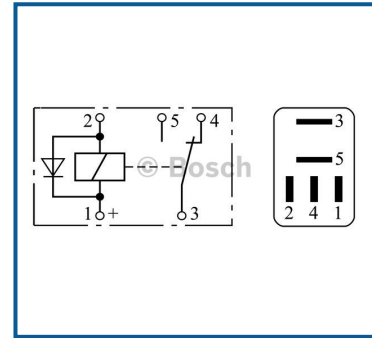
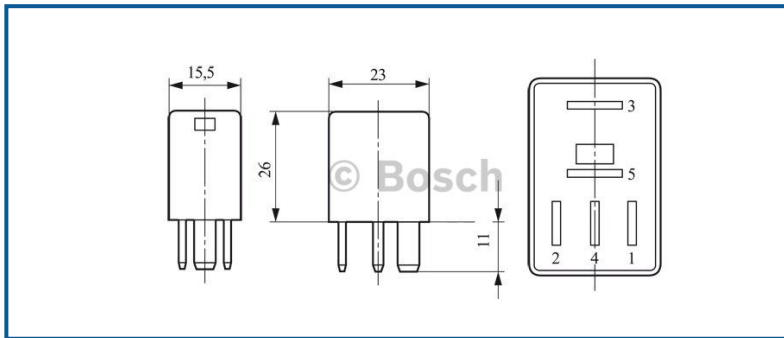
[Back to general overview](#)

Micro Relays 24 V, 10/5 A

0 332 207 402

| Change over | Normal close | Normal open |
|-------------|--------------|-------------|
| ✓ | | |

| Mounting bracket | Resistor | Diode | Life durability | Current | Voltage | Number of Pins | Housing type | Temperature range | Degree of protection housing | Degree of protection connection |
|------------------|----------|-------|-----------------|---------|---------|----------------|-----------------|-------------------|------------------------------|---------------------------------|
| X | X | ✓ | 250.000 | 10/5 A | 24 V | 5 | Plastic housing | -40... +100°C | IP5K4 | IP20 |



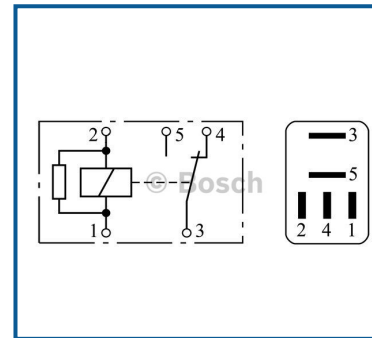
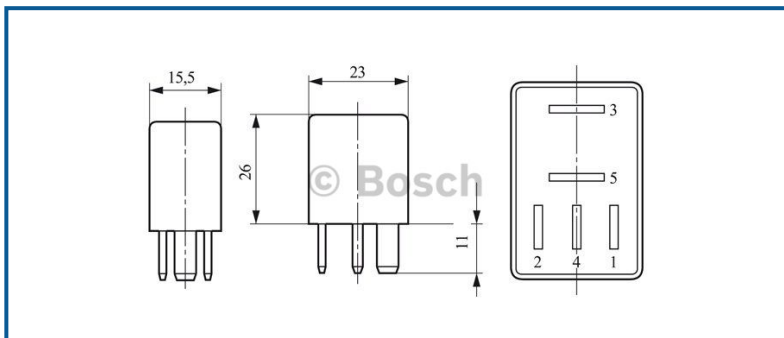
[Back to general overview](#)

Micro Relays 24 V, 10/5 A

0 332 207 405

| Change over | Normal close | Normal open |
|-------------|--------------|-------------|
| ✓ | | |

| Mounting bracket | Resistor | Diode | Life durability | Current | Voltage | Number of Pins | Housing type | Temperature range | Degree of protection housing | Degree of protection connection |
|------------------|----------|-------|-----------------|---------|---------|----------------|-----------------|-------------------|------------------------------|---------------------------------|
| X | ✓ | X | 250.000 | 10/5 A | 24 V | 5 | Plastic housing | -40... +100°C | IP5K4 | IP20 |



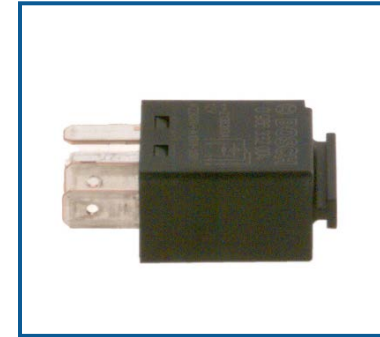
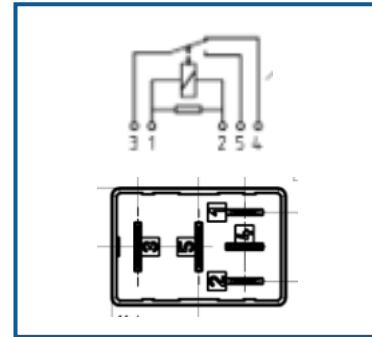
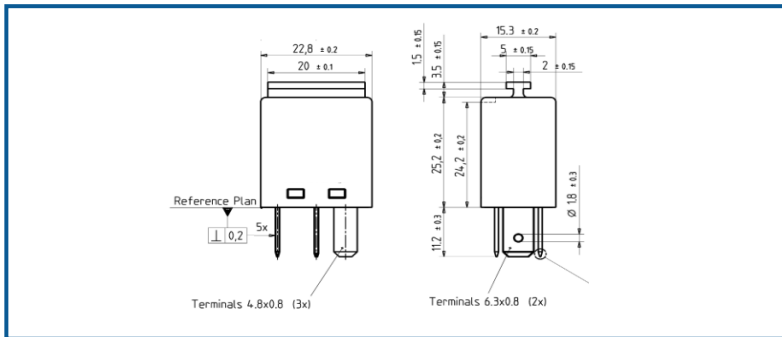
[Back to general overview](#)

Micro Relays 12 V, 15 A

0 986 332 004

| Change over | Normal close | Normal open |
|-------------|--------------|-------------|
| ✓ | | |

| Mounting bracket | Resistor | Diode | Life durability | Current | Voltage | Number of Pins | Housing type | Temperature range | Degree of protection housing | Degree of protection connection |
|------------------|----------|-------|-----------------|---------|---------|----------------|-----------------|-------------------|------------------------------|---------------------------------|
| T-BAR | ✓ | X | 100.000 | 15 A | 12 V | 5 | Plastic housing | -40... +100°C | IP5K4 | IP20 |



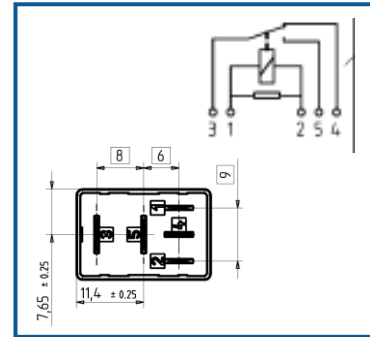
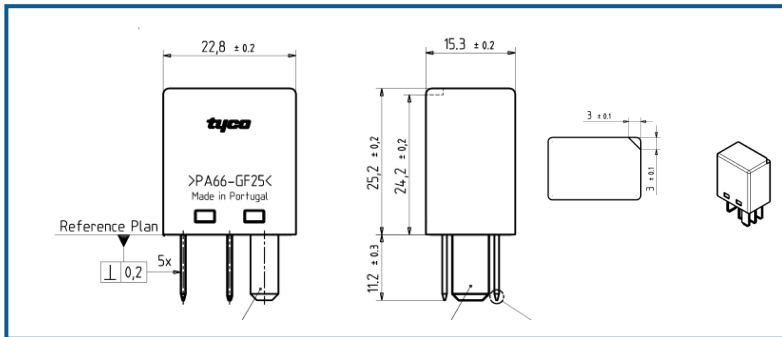
[Back to general overview](#)

Micro Relays 12 V, 10 A

0 986 332 021

| Change over | Normal close | Normal open |
|-------------|--------------|-------------|
| ✓ | | |

| Mounting bracket | Resistor | Diode | Life durability | Current | Voltage | Number of Pins | Housing type | Temperature range | Degree of protection housing | Degree of protection connection |
|------------------|----------|-------|-----------------|----------|---------|----------------|-----------------|-------------------|------------------------------|---------------------------------|
| X | ✓ | X | 100.000 | 20A/10 A | 12 V | 5 | Plastic housing | -40°C ... +125°C | IP5K4 | IP20 |



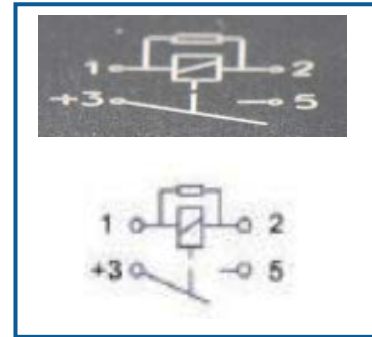
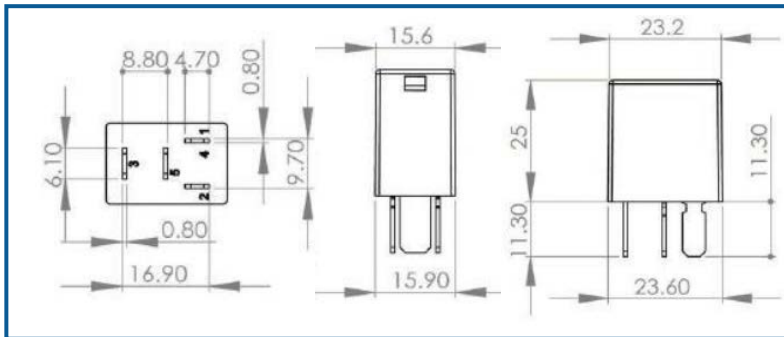
[Back to general overview](#)

Micro Relays 12 V, 20 A

0 986 AH0 300

| Change over | Normal close | Normal open |
|-------------|--------------|-------------|
| | | ✓ |

| Mounting bracket | Resistor | Diode | Life durability | Current | Voltage | Number of Pins | Housing type | Temperature range | Degree of protection housing | Degree of protection connection |
|------------------|----------|-------|-----------------|---------|---------|----------------|-----------------|-------------------|------------------------------|---------------------------------|
| X | ✓ | X | 100.000 | 20 A | 12 V | 4 | Plastic housing | -40... +100°C | IP5K4 | IP20 |



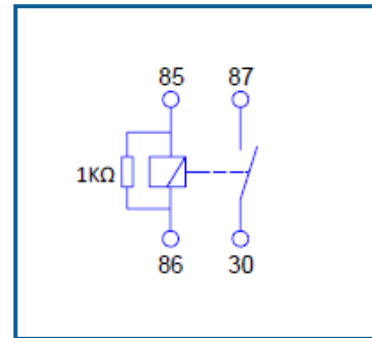
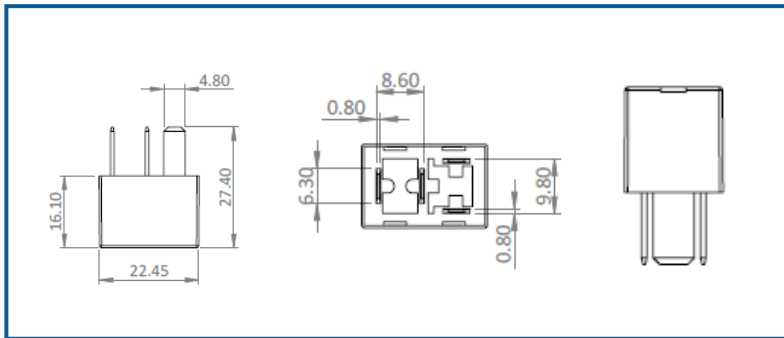
[Back to general overview](#)

Nano Relays 12 V, 20 A

0 986 AH0 090

| Change over | Normal close | Normal open |
|-------------|--------------|-------------|
| | | ✓ |

| Mounting bracket | Resistor | Diode | Life durability | Current | Voltage | Number of Pins | Housing type | Temperature range | Degree of protection housing | Degree of protection connection |
|------------------|----------|-------|-----------------|---------|---------|----------------|-----------------|-------------------|------------------------------|---------------------------------|
| X | ✓ | X | 100.000 | 20 A | 12 V | 4 | Plastic housing | -40... +100°C | IP5K4 | IP20 |



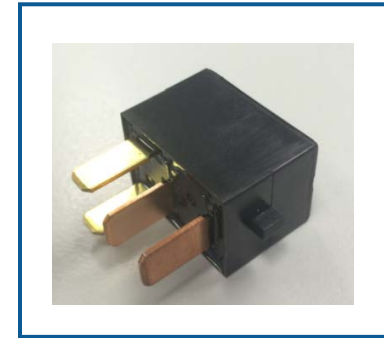
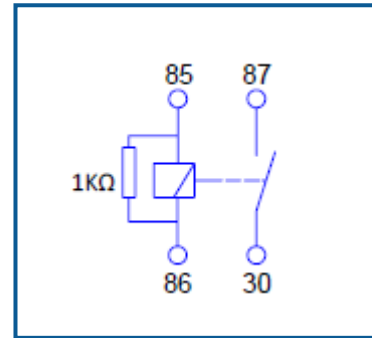
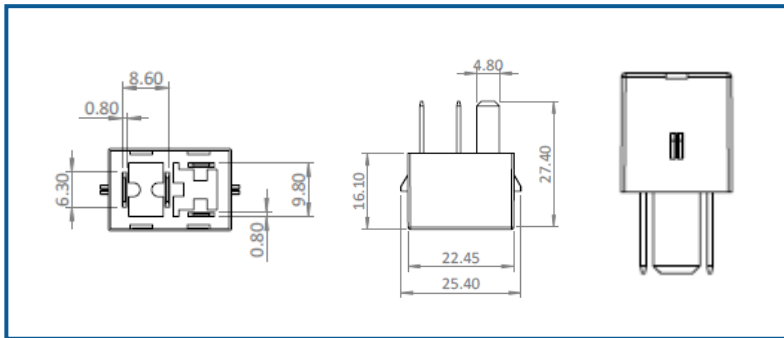
[Back to general overview](#)

Nano Relays 12 V, 20 A

0 986 AH0 091

| Change over | Normal close | Normal open |
|-------------|--------------|-------------|
| | | ✓ |

| Mounting bracket | Resistor | Diode | Life durability | Current | Voltage | Number of Pins | Housing type | Temperature range | Degree of protection housing | Degree of protection connection |
|------------------|----------|-------|-----------------|---------|---------|----------------|-----------------|-------------------|------------------------------|---------------------------------|
| X | ✓ | X | 100.000 | 20 A | 12 V | 4 | Plastic housing | -40... +100°C | IP5K4 | IP20 |



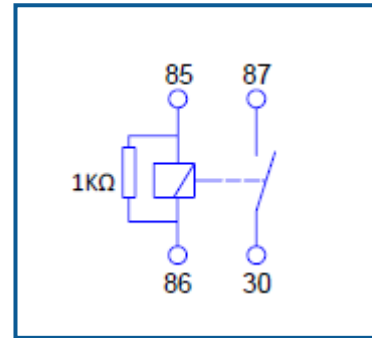
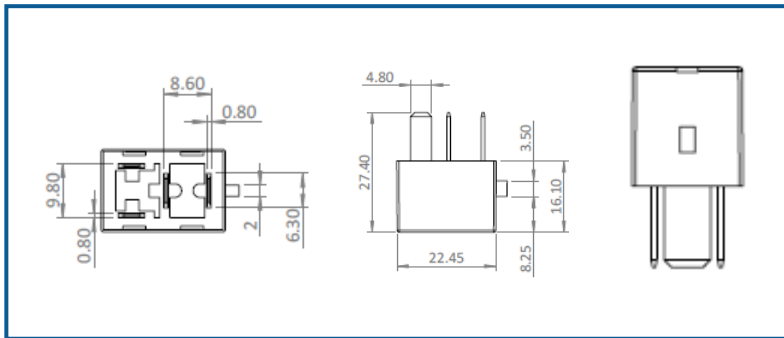
[Back to general overview](#)

Nano Relays 12 V, 20 A

0 986 AH0 092

| Change over | Normal close | Normal open |
|-------------|--------------|-------------|
| | | ✓ |

| Mounting bracket | Resistor | Diode | Life durability | Current | Voltage | Number of Pins | Housing type | Temperature range | Degree of protection housing | Degree of protection connection |
|------------------|----------|-------|-----------------|---------|---------|----------------|-----------------|-------------------|------------------------------|---------------------------------|
| X | ✓ | X | 100.000 | 20 A | 12 V | 4 | Plastic housing | -40... +100°C | IP5K4 | IP20 |



[Back to general overview](#)

